



OPTIONS CATALOGUE

WHEEL LOADERS

Internal use only Volvo Wheel Loaders





Table of content

Table of content	2		
Options - Alphabetical order	6		
Options - Availability by machine	8		
General	14		
CE-marking	14		
Eurasia and EAC-marking	14		
Year of manufacture plate	15		
Sign, 50 km/h	15		
Sound decal, EU	15		
Warning decals, text version	16		
Sign, slow moving vehicle	16		
Engine	17		
Air pre-cleaner, oil-bath type	17		
Pre-cleaner for hot slag, oil bath type, heat resistant	17		
Air pre-cleaner, cyclone type	18		
Air pre-cleaner, turbo type	18		
Engine auto shutdown	19		
Engine shutdown, delayed	19		
Engine block heater, 230 V	20		
Cab heater power outlet 240V	20		
CAN-BUS interface	21		
Max boom height	21		
Fuel filter extra	22		
Additional fuel filter and hoses for hot applications	22		
Fuel heater	23		
Fuel fill strainer	23		
Fuel tank, steel	23		
Fast fill fueling system	23		
Hand throttle control	24		
Radiator, corrosion protection	24		
Cooling package, radiator, charge air cooler, hydraulic oil cooler corrosion protection	24		
Cooling package: radiator and charge air cooler, corrosion protection	25		
Radiator grill, guard	25		
Reversible cooling fan	26		
Reversible cooling fan and axle oil cooler	27		
Software, semi manual regeneration	27		
Electrics	28		
License plate holder, lighting	28		
License plate holder, lighting, left side	28		
Reverse warning light, strobe lightning	28		
Warning flasher, LED beacon	29		
Warning flasher, LED beacon automatic	29		
Emergency stop, exterior	30		
Economy LED package	30		
Feature LED package	30		
Power LED package	31		
Working lights, LED, front and rear Cab, single	31		
Working lights, LED, front and rear Cab, dual	32		
Working lights LED side/entrance	33		
LED Headlights, asymmetric, right			
LED Headlights, asymmetric, left	33		
Work lamp, two LED lamps rear in grill and two LED lamps above head lamps, for LED travel lights	34		
Work lamp, rear in grille, 4 LED lamps	34		
Tail light, LED lamp	35		
Taillight guards, heavy-duty	35		
Headlights, front, guards	35		
Shortened headlight support brackets	36		
Working lights, attachments, one LED lamp	36		
Working lights, attachments, six LED lamp	36		
Working lights front, on cab, dual	37		
Working lights rear, on cab	37		
Working lights rear, on cab, dual	37		
Working lights front, extra	38		
Working light, attachments	38		
Headlights, asymmetric left	38		
Working lights, reverse gear activated	39		
Side marker lamps	39		
Connector for connecting power electric tools	39		
Alternator 120 amp, heavy-duty	40		
Anti-theft device	40		
Emergency stop	40		
Jump start connector, NATO-Type	40		
Locking device, Tag out Lock out	41		
Reverse alarm	41		
Reverse alarm, white noise	42		
Forward view camera	42		
Rear view camera in. monitor, colour	43		
Radar detect system including rearview camera	43		
Load Assist On-Board Weighing	44		
Emergency limp home, one gear forward/reverse	45		
Emergency switch (shutdown)	45		
Power transmission	46		
100% Front differential, limited slip rear	46		
Speed limiter	46		
Wheel / axle seal guards	47		
OptiShift with lock-up RBB	47		
Lock-up converter	48		
Brake system	49		
Stainless steel, brake lines	49		
Parking brake alarm, audible for air-suspended seats	49		
Brake system, arctic	49		
Oil cooler and filter for front and rear axle	50		
Oil cooler for front + rear axle	50		
Steering	51		
Comfort Drive Control, CDC	51		
Steering, secondary	52		
Frame	53		
Log pusher	53		
Logger version	53		
Belly guard, front	54		
Belly guard, rear	54		
Block handler kit	55		
Block handler, heavy-duty	56		
Belly guard rear, oil pan	57		
Center hinge and rear frame guard	57		
Counterweight, block handling	57		
Counterweight, logging	58		
Counterweight, rehandling	58		
Counterweight, signal painted, chevrons	59		

Cover plate, heavy-duty, front frame	59
Cover plates, rear frame	59
Cover plate, between front frame and front axle	60
Footsteps front frame.	60
Towing hitch.	60
Protection under front frame.	61
Cover plates, front/rear axle	61

Loading equipment 62

Boom Suspension System, BSS	62
Long boom.	62
Separate attachment locking, long boom.	63
Separate attachment locking, standard boom	63
Special hydraulic fixture for shipment protection	64
Attachment lock, heat resistant	64
Single acting lifting function	65

Cab/Operator environment 66

Anchored, operator's manual.	66
Cab roof, heavy duty	66
Automatic Climate Control (ACC)	67
Automatic Climate Control (ACC) with corrosion protection condenser	67
ACC control panel, with Fahrenheit scale.	67
Asbestos dust protection filter.	68
Carbon filter - cab	68
Cab air pre-cleaner, cyclone type	69
Timer cab heating	69
Steering wheel knob	69
Volvo Airsusp. 3pt seat belt	70
Volvo Airsusp. 2pt seat belt	70
Volvo Airsusp, heavy duty	71
Operator's seat, ISRI, heated, high back	71
Operator's seat, ISRI, low back	71
Operator's seat, Premium Comfort ISRI	72
Armrest, Volvo seat HD, left	72
Armrest, Volvo seat, Left	72
Armrest, operator's seat, ISRI, left only.	73
Armrest, for Premium Comfort ISRI, Left.	73
Seat belt, 3", (width 75 mm).	73
Seat belt indicator, external	74
Lunch box holder	74
Radio (with AUX, Bluetooth and USB connection)	75
Subwoofer.	76
Radio installation kit left-side	76
Radio installation kit right-side	77
Sun blinds, rear windows	77
Sun blinds, side windows	77
Window, sliding, door.	78
Windows, side and rear, guards	78
Windshield, guard.	79
Front view mirrors.	79
Cover plate, under cab	80
Cab, Hot applications.	81
Reinforced windshield, flat.	82
Universal door/ignition key.	82
Remote door opener	83
Ashtray.	83
Rear view mirrors, long arm right	84
Rear view mirrors, el.adjusted and heated, long arm right	84
Rear view mirror.	85
Rear view mirrors, electrically adjusted and heated	85

Hydraulics 86

Volvo hydraulic fluid, biodegradable.	86
Hydraulic oil for cold climate	86
Hydraulic fluid, for hot climate	86
Hydraulic fluid, fire resistant	87
Arctic kit, attachment locking hoses	87
Arctic kit for 3rd function.	88
Boom cylinder hose and tube guards	88
Boom cylinder hose and tube guards for long boom	89
Hydraulic 3 functions.	89
Hydraulic 4 functions.	90
Hydraulic 2 functions, Electrical	90
Hydraulic 3 functions, Electrical	91
Hydraulic 4 functions, Electrical	91
Single lever control, 1-2 functions	92
Single lever control, 3 functions	92
Single lever control, 4 functions	93
Single lever control, 1-2 functions, Electrical	93
Single lever control, 3 functions, Electrical	94
Single lever control, 4 functions, Electrical	94
Heat protected, lift and tilt hoses	95
Servo system Arctic.	95
Servo system with attachment locking Arctic	95
Arctic kit, pilot hoses, hydraulic oil	96
HD LS Hydraulic Systems, pump kit included	96
Adjustable flow for third hydraulic function.	96
Detent for 3rd hydraulic function	97
Hydraulic equipment for grapple, clamp arm.	97
Hydraulic equipment for grapple, chain arm	98

Service and Maintenance 99

Lube system	99
Lube system for attachment bracket	100
Heat resistant lube system	100
Refill pump for grease to lube system.	100
Grease nipple guards	101
Oil sampling valve.	101
Tool kit	101
Wheel nut wrench kit.	102
Air nozzle in engine compartment.	102

Miscellaneous 103

Noise reduction kit, Europe, excluding decal	103
Noise reduction kit	103
Kit, Germany.	104
Bucket teeth protection	104
Corrosion protection, painting of attachment bracket.	105
Corrosion protection, painting of machine	105
No Anti-Rust Agent.	105
Reflectors, machine contour	106
Fire Extinguisher	106
Fire extinguisher, two pieces.	107
Bracket for fire extinguisher	107
Bracket for fire extinguisher, two pieces	107
Fire extinguisher, Rear mount	108
Fire Suppression System.	108
Guardrail on rear left mudguard	108
Guardrail on rear right mudguard	109
Hand rail on counterweight	109
Mudguard widener, front/rear for 80-series tires	110
Mudguard widener, front/rear for 65-series tires	110

Mudguards, full cover, front/rear for 80-series tires	111
Mudguards, full cover, front/rear for 65-series tires	111
Mudguards, full cover, wideners and protection included.	111
Mudguards, full cover, rear for 80-series tires	112
Mudguards, full cover, front steel for 80-series tires . . .	112
Mudflap kit front/rear for plastic front mudguards for 80-series tires	113
Mudflap kit front/rear for plastic/steel front mudguards for 80-series tires	113
Mudguards, front and short rear, plastic/sheet metal for 65-series tires	114
Mudguards, front and short rear, plastic front for 65-series tires.	114
Mudguards, full cover, front/rear, plastic/sheet metal for 65-series tires	115
Mudguards, full cover, front/rear, plastic front for 65-series tires.	115
Mudflap kit front/rear for plastic front mudguards for 65-series tires	116
Mudflap kit front/rear for plastic/steel fr mudguards for 65-series tires	116
Heat resistant mudflaps, front and rear.	116
Mudguard widener, steel.	117
Rear fender, steel	117
Deleted front mudguards.	117
Deleted front mudguards and wideners rear	118
Escape ladder, left fender	118
Cab ladder, rubber suspended	119
Cab ladder, with wire suspended foot step.	119
Cover plate for pressure outlet.	119
Rear footstep, wire suspended	119
Heat resistant center hinge	120
Heat resistant, rear inner fender	120
Protection, HIJ link	120
Towing chain.	121
Towing device	121
Flexible rear step	121
Footstep, right-hand side.	122
CareTrack	122



Options - Alphabetical order

100% Front differential, limited slip rear	46	Cover plate, under cab	80
ACC control panel, with Fahrenheit scale	67	Deleted front mudguards	117
Additional fuel filter and hoses for hot applications	22	Deleted front mudguards and wideners rear	118
Adjustable flow for third hydraulic function	96	Detent for 3rd hydraulic function.	97
Air nozzle in engine compartment	102	Economy LED package	30
Air pre-cleaner, cyclone type	18	Emergency limp home, one gear forward/reverse	45
Air pre-cleaner, oil-bath type	17	Emergency stop	40
Air pre-cleaner, turbo type	18	Emergency stop, exterior	30
Alternator 120 amp, heavy-duty	40	Emergency switch (shutdown).	45
Anchored, operator's manual	66	Engine auto shutdown	19
Anti-theft device	40	Engine block heater, 230 V	20
Arctic kit, attachment locking hoses	87	Engine shutdown, delayed	19
Arctic kit for 3rd function	88	Escape ladder, left fender	118
Arctic kit, pilot hoses, hydraulic oil	96	Eurasia and EAC-marking	14
Armrest, for Premium Comfort ISRI, Left	73	Fast fill fueling system.	23
Armrest, operator's seat, ISRI, left only	73	Feature LED package	30
Armrest, Volvo seat HD, left	72	Fire Extinguisher.	106
Armrest, Volvo seat, Left	72	Fire extinguisher, Rear mount	108
Asbestos dust protection filter	68	Fire extinguisher, two pieces	107
Ashtray	83	Fire Suppression System	108
Attachment lock, heat resistant	64	Flexible rear step.	121
Automatic Climate Control (ACC)	67	Footstep, right-hand side	122
Automatic Climate Control (ACC) with corrosion protection condenser	67	Footsteps front frame	60
Belly guard, front	54	Forward view camera	42
Belly guard, rear	54	Front view mirrors	79
Belly guard rear, oil pan	57	Fuel fill strainer.	23
Block handler, heavy-duty.	56	Fuel filter extra	22
Block handler kit	55	Fuel heater	23
Boom cylinder hose and tube guards	88	Fuel tank, steel.	23
Boom cylinder hose and tube guards for long boom.	89	Grease nipple guards	101
Boom Suspension System, BSS	62	Guardrail on rear left mudguard	108
Bracket for fire extinguisher	107	Guardrail on rear right mudguard	109
Bracket for fire extinguisher, two pieces	107	Hand rail on counterweight.	109
Brake system, arctic.	49	Hand throttle control	24
Bucket teeth protection.	104	HD LS Hydraulic Systems, pump kit included	96
Cab air pre-cleaner, cyclone type.	69	Headlights, asymmetric left	38
Cab heater power outlet 240V.	20	Headlights, front, guards	35
Cab, Hot applications	81	Heat protected, lift and tilt hoses	95
Cab ladder, rubber suspended	119	Heat resistant center hinge	120
Cab ladder, with wire suspended foot step	119	Heat resistant lube system	100
Cab roof, heavy duty.	66	Heat resistant mudflaps, front and rear	116
CAN-BUS interface	21	Heat resistant, rear inner fender	120
Carbon filter - cab	68	Hydraulic 2 functions, Electrical	90
CareTrack	122	Hydraulic 3 functions	89
CE-marking	14	Hydraulic 3 functions, Electrical	91
Center hinge and rear frame guard	57	Hydraulic 4 functions	90
Comfort Drive Control, CDC	51	Hydraulic 4 functions, Electrical	91
Connector for connecting power electric tools	39	Hydraulic equipment for grapple, chain arm	98
Cooling package: radiator and charge air cooler, corrosion protection.	25	Hydraulic equipment for grapple, clamp arm	97
Cooling package, radiator, charge air cooler, hydraulic oil cooler corrosion protection	24	Hydraulic fluid, fire resistant	87
Corrosion protection, painting of attachment bracket	105	Hydraulic fluid, for hot climate	86
Corrosion protection, painting of machine	105	Hydraulic oil for cold climate	86
Counterweight, block handling.	57	Jump start connector, NATO-Type.	40
Counterweight, logging	58	Kit, Germany	104
Counterweight, rehandling	58	LED Headlights, asymmetric, right	33
Counterweight, signal painted, chevrons	59	LED Headlights, asymmetric, left	28
Cover plate, between front frame and front axle	60	License plate holder, lighting	28
Cover plate for pressure outlet	119	License plate holder, lighting, left side.	28
Cover plate, heavy-duty, front frame.	59	Load Assist On-Board Weighing	44
Cover plates, front/rear axle	61	Locking device, Tag out Lock out.	41
Cover plates, rear frame.	59	Lock-up converter	48
		Logger version	53
		Log pusher	53
		Long boom	62

Lube system	99	Reversible cooling fan and axle oil cooler	27
Lube system for attachment bracket	100	Seat belt, 3", (width 75 mm)	73
Lunch box holder.	74	Seat belt indicator, external.	74
Max boom height	21	Separate attachment locking, long boom	63
Mudflap kit front/rear for plastic front mudguards for 65-series tires	116	Separate attachment locking, standard boom	63
Mudflap kit front/rear for plastic front mudguards for 80-series tires	113	Servo system Arctic	95
Mudflap kit front/rear for plastic/steel fr mudguards for 65-series tires	116	Servo system with attachment locking Arctic	95
Mudflap kit front/rear for plastic/steel front mudguards for 80-series tires	113	Shortened headlight support brackets	36
Mudguards, front and short rear, plastic front for 65-series tires	114	Side marker lamps.	39
Mudguards, front and short rear, plastic/sheet metal for 65-series tires	114	Sign, 50 km/h	15
Mudguards, full cover, front/rear for 65-series tires	111	Sign, slow moving vehicle	16
Mudguards, full cover, front/rear for 80-series tires	111	Single acting lifting function	65
Mudguards, full cover, front/rear, plastic front for 65-series tires	115	Single lever control, 1-2 functions	92
Mudguards, full cover, front/rear, plastic/sheet metal for 65-series tires	115	Single lever control, 1-2 functions, Electrical	93
Mudguards, full cover, front steel for 80-series tires.	112	Single lever control, 3 functions	92
Mudguards, full cover, rear for 80-series tires	112	Single lever control, 3 functions, Electrical	94
Mudguards, full cover, wideners and protection included	111	Single lever control, 4 functions	93
Mudguard widener, front/rear for 65-series tires.	110	Single lever control, 4 functions, Electrical	94
Mudguard widener, front/rear for 80-series tires	110	Software, semi manual regeneration	27
Mudguard widener, steel	117	Sound decal, EU	15
No Anti-Rust Agent	105	Special hydraulic fixture for shipment protection.	64
Noise reduction kit.	103	Speed limiter	46
Noise reduction kit, Europe, excluding decal	103	Stainless steel, brake lines	49
Oil cooler and filter for front and rear axle	50	Steering, secondary	52
Oil cooler for front + rear axle.	50	Steering wheel knob	69
Oil sampling valve	101	Subwoofer	76
Operator's seat, ISRI, heated, high back	71	Sun blinds, rear windows	77
Operator's seat, ISRI, low back	71	Sun blinds, side windows.	77
Operator's seat, Premium Comfort ISRI	72	Taillight guards, heavy-duty.	35
OptiShift with lock-up RBB	47	Tail light, LED lamp	35
Parking brake alarm, audible for air-suspended seats	49	Timer cab heating	69
Power LED package.	31	Tool kit	101
Pre-cleaner for hot slag, oil bath type, heat resistant	17	Towing chain	121
Protection, HIJ link	120	Towing device	121
Protection under front frame	61	Towing hitch	60
Radar detect system including rearview camera	43	Universal door/ignition key	82
Radiator, corrosion protection	24	Volvo Airsusp. 2pt seat belt.	70
Radiator grill, guard	25	Volvo Airsusp. 3pt seat belt.	70
Radio installation kit left-side.	76	Volvo Airsusp, heavy duty.	71
Radio installation kit right-side.	77	Volvo hydraulic fluid, biodegradable	86
Radio (with AUX, Bluetooth and USB connection)	75	Warning decals, text version	16
Rear fender, steel	117	Warning flasher, LED beacon	29
Rear footstep, wire suspended.	119	Warning flasher, LED beacon automatic	29
Rear view camera in. monitor, colour	43	Wheel / axle seal guards	47
Rear view mirror	85	Wheel nut wrench kit	102
Rear view mirrors, el.adjusted and heated, long arm right	84	Window, sliding, door	78
Rear view mirrors, electically adjusted and heated.	85	Windows, side and rear, guards	78
Rear view mirrors, long arm right	84	Windshield, guard	79
Refill pump for grease to lube system	100	Working light, attachments.	38
Reflectors, machine contour	106	Working lights, attachments, one LED lamp	36
Reinforced windshield, flat	82	Working lights, attachments, six LED lamp.	36
Remote door opener.	83	Working lights front, extra	38
Reverse alarm	41	Working lights front, on cab, dual	37
Reverse alarm, white noise	42	Working lights, LED, front and rear Cab, dual	32
Reverse warning light, strobe lightning	28	Working lights, LED, front and rear Cab, single	31
Reversible cooling fan	26	Working lights LED side/entrance.	33
		Working lights rear, on cab	37
		Working lights rear, on cab, dual	37
		Working lights, reverse gear activated.	39
		Work lamp, rear in grille, 4 LED lamps	34
		Work lamp, two LED lamps rear in grill and two LED lamps above head lamps, for LED travel lights.	34
		Year of manufacture plate.	15

Options - Availability by machine

Options	L60H	L70H	L90H	L110H	L120H	L150H	L180H	L180H High-Lift	L220H	L260H	L350H
100% Front differential, limited slip rear	✓	✓	✓	✓	✓	✓	✓		✓	✓	
ACC control panel, with Fahrenheit scale	✓	✓	✓	✓	✓	✓	✓	✓	✓	✓	✓
Additional fuel filter and hoses for hot applications						✓	✓		✓		✓
Adjustable flow for third hydraulic function	✓	✓	✓								
Air nozzle in engine compartment						✓	✓	✓	✓	✓	✓
Air pre-cleaner, cyclone type	✓	✓	✓	✓	✓	✓	✓	✓	✓	✓	✓
Air pre-cleaner, oil-bath type	✓	✓	✓	✓	✓	✓	✓	✓	✓	✓	✓
Air pre-cleaner, turbo type	✓	✓	✓	✓	✓	✓	✓	✓	✓	✓	✓
Alternator 120 amp, heavy-duty						✓	✓	✓	✓	✓	✓
Anchored, operator's manual	✓	✓	✓	✓	✓	✓	✓	✓	✓	✓	✓
Anti-theft device	✓	✓	✓	✓	✓	✓	✓	✓	✓	✓	✓
Arctic kit for 3rd function						✓	✓		✓	✓	
Arctic kit, attachment locking hoses	✓	✓	✓	✓	✓						
Arctic kit, pilot hoses, hydraulic oil	✓	✓	✓								
Armrest, for Premium Comfort ISRI, Left	✓	✓	✓	✓	✓	✓	✓	✓	✓	✓	
Armrest, operator's seat, ISRI, left only	✓	✓	✓								
Armrest, Volvo seat HD, left	✓	✓	✓	✓	✓	✓	✓	✓	✓	✓	
Armrest, Volvo seat, Left	✓	✓	✓	✓	✓	✓	✓	✓	✓	✓	
Asbestos dust protection filter	✓	✓	✓	✓	✓	✓	✓	✓	✓	✓	✓
Ashtray	✓	✓	✓	✓	✓	✓	✓	✓	✓	✓	✓
Attachment lock, heat resistant						✓	✓		✓		
Automatic Climate Control (ACC)	✓	✓	✓	✓	✓						
Automatic Climate Control (ACC) with corrosion protection condenser	✓	✓	✓	✓	✓	✓	✓	✓	✓	✓	
Belly guard rear, oil pan						✓	✓	✓	✓	✓	
Belly guard, front	✓	✓	✓	✓	✓	✓	✓	✓	✓	✓	✓
Belly guard, rear	✓	✓	✓	✓	✓	✓	✓	✓	✓	✓	✓
Block handler kit											✓
Block handler, heavy-duty											✓
Boom cylinder hose and tube guards	✓	✓	✓	✓	✓	✓	✓		✓		
Boom cylinder hose and tube guards for long boom	✓	✓	✓			✓	✓		✓	✓	
Boom Suspension System, BSS	✓	✓	✓	✓	✓	✓	✓		✓	✓	✓
Bracket for fire extinguisher	✓	✓	✓	✓	✓	✓	✓	✓	✓	✓	✓
Bracket for fire extinguisher, two pieces	✓	✓	✓	✓	✓	✓	✓	✓	✓	✓	
Brake system, arctic	✓	✓	✓	✓	✓	✓	✓		✓	✓	✓
Bucket teeth protection	✓	✓	✓	✓	✓	✓	✓				
Cab air pre-cleaner, cyclone type	✓	✓	✓	✓	✓	✓	✓	✓	✓	✓	
Cab heater power outlet 240V	✓	✓	✓	✓	✓	✓	✓	✓	✓	✓	✓
Cab ladder, rubber suspended	✓	✓	✓	✓	✓	✓	✓	✓	✓	✓	
Cab ladder, with wire suspended foot step						✓	✓		✓		
Cab roof, heavy duty	✓	✓	✓	✓	✓	✓	✓		✓	✓	✓
Cab, Hot applications	✓	✓	✓	✓	✓	✓	✓		✓		
CAN-BUS Interface	✓	✓	✓	✓	✓	✓	✓	✓	✓	✓	✓
Carbon filter - cab	✓	✓	✓	✓	✓	✓	✓	✓	✓	✓	✓
CareTrack	✓	✓	✓	✓	✓	✓	✓		✓	✓	✓
CE-marking	✓	✓	✓	✓	✓	✓	✓	✓	✓	✓	✓
Center hinge and rear frame guard	✓	✓	✓	✓	✓	✓	✓	✓	✓	✓	
Comfort Drive Control, CDC	✓	✓	✓			✓	✓	✓	✓	✓	
Connector for connecting power electric tools				✓	✓	✓	✓	✓	✓	✓	✓
Cooling package, radiator, charge air cooler, hydraulic oil cooler corrosion protection	✓	✓	✓	✓	✓						
Cooling package: radiator and charge air cooler, corrosion protection											✓
Corrosion protection, painting of attachment bracket	✓	✓	✓	✓	✓	✓	✓				✓
Corrosion protection, painting of machine	✓	✓	✓	✓	✓	✓	✓		✓	✓	
Counterweight, block handling						✓	✓		✓		
Counterweight, logging	✓	✓	✓	✓	✓	✓	✓		✓	✓	✓
Counterweight, rehandling						✓	✓		✓	✓	✓
Counterweight, signal painted, chevrons	✓	✓	✓	✓	✓	✓	✓	✓	✓	✓	✓
Cover plate for pressure outlet						✓	✓		✓		
Cover plate, between front frame and front axle						✓	✓		✓		

Options	L60H	L70H	L90H	L110H	L120H	L150H	L180H	L180H High-Lift	L220H	L260H	L350H
Cover plate, heavy-duty, front frame	✓	✓	✓	✓	✓	✓	✓		✓	✓	
Cover plate, under cab	✓	✓	✓	✓	✓	✓	✓	✓	✓	✓	
Cover plates, front/rear axle				✓	✓						
Cover plates, rear frame	✓	✓	✓	✓	✓	✓	✓	✓	✓	✓	
Deleted front mudguards	✓	✓	✓			✓	✓		✓	✓	
Deleted front mudguards and wideners rear				✓	✓						
Detent for 3rd hydraulic function	✓	✓	✓								
Economy LED package	✓	✓	✓	✓	✓	✓	✓	✓	✓	✓	✓
Emergency limp home, one gear forward/reverse						✓	✓		✓		
Emergency stop	✓	✓	✓	✓	✓	✓	✓	✓	✓	✓	✓
Emergency stop, exterior	✓	✓	✓	✓	✓	✓	✓	✓	✓	✓	
Emergency switch (shutdown)						✓	✓		✓		
Engine auto shutdown	✓	✓	✓	✓	✓	✓	✓	✓	✓	✓	✓
Engine block heater, 230 V	✓	✓	✓	✓	✓	✓	✓	✓	✓	✓	✓
Engine shutdown, delayed	✓	✓	✓	✓	✓	✓	✓	✓	✓	✓	✓
Escape ladder, left fender									✓		
Eurasia and EAC-marking	✓	✓	✓	✓	✓	✓	✓	✓	✓	✓	✓
Fast fill fueling system											✓
Feature LED package	✓	✓	✓	✓	✓	✓	✓	✓	✓	✓	✓
Fire Extinguisher	✓	✓	✓	✓	✓	✓	✓	✓	✓	✓	✓
Fire extinguisher, Rear mount						✓	✓		✓		
Fire extinguisher, two pieces	✓	✓	✓	✓	✓	✓	✓	✓	✓	✓	
Fire Suppression System	✓	✓	✓	✓	✓	✓	✓	✓	✓	✓	✓
Flexible rear step	✓	✓									
Footstep, right-hand side	✓	✓	✓								
Footsteps front frame	✓	✓	✓	✓	✓						
Forward view camera	✓	✓	✓	✓	✓	✓	✓	✓	✓	✓	✓
Front view mirrors	✓	✓	✓	✓	✓	✓	✓		✓	✓	✓
Fuel fill strainer	✓	✓	✓	✓	✓	✓	✓	✓	✓	✓	✓
Fuel filter extra						✓	✓	✓	✓	✓	
Fuel heater	✓	✓	✓	✓	✓	✓	✓	✓	✓	✓	✓
Fuel tank, steel				✓	✓						
Grease nipple guards		✓	✓			✓			✓		
Guardrail on rear left mudguard				✓	✓						
Guardrail on rear right mudguard				✓	✓						
Hand rail on counterweight						✓	✓	✓	✓	✓	
Hand throttle control	✓	✓	✓	✓	✓	✓	✓	✓	✓	✓	✓
HD LS Hydraulic Systems, pump kit included		✓									
Headlights, asymmetric left	✓	✓	✓	✓	✓	✓	✓	✓	✓	✓	✓
Headlights, front, guards	✓	✓	✓	✓	✓	✓	✓	✓	✓	✓	✓
Heat protected, lift and tilt hoses						✓	✓		✓		
Heat resistant center hinge						✓	✓		✓		
Heat resistant lube system						✓	✓		✓		
Heat resistant mudflaps, front and rear						✓	✓		✓		
Heat resistant, rear inner fender						✓	✓		✓		
Hydraulic 2 functions, Electrical	✓	✓	✓								
Hydraulic 3 functions	✓	✓	✓	✓	✓	✓	✓		✓	✓	✓
Hydraulic 3 functions, Electrical	✓	✓	✓								
Hydraulic 4 functions	✓	✓	✓	✓	✓	✓	✓		✓	✓	✓
Hydraulic 4 functions, Electrical	✓	✓	✓								
Hydraulic equipment for grapple, chain arm								✓			
Hydraulic equipment for grapple, clamp arm								✓			
Hydraulic fluid, fire resistant	✓	✓	✓	✓	✓	✓	✓	✓	✓	✓	✓
Hydraulic fluid, for hot climate	✓	✓	✓	✓	✓	✓	✓	✓	✓	✓	✓
Hydraulic oil for cold climate	✓	✓	✓	✓	✓	✓	✓	✓	✓	✓	✓
Jump start connector, NATO-Type	✓	✓	✓	✓	✓	✓	✓	✓	✓	✓	✓
Kit, Germany	✓	✓	✓	✓	✓	✓					
LED Headlights, asymmetric, right	✓	✓	✓	✓	✓	✓	✓	✓	✓	✓	✓
LED Headlights, asymmetric, left	✓	✓	✓	✓	✓	✓	✓	✓	✓	✓	✓

Options	L60H	L70H	L90H	L110H	L120H	L150H	L180H	L180H High-Lift	L220H	L260H	L350H
License plate holder, lighting	✓	✓	✓	✓	✓	✓	✓	✓	✓	✓	
License plate holder, lighting, left side	✓	✓	✓	✓	✓	✓					
Load Assist On-Board Weighing				✓	✓	✓	✓		✓	✓	
Locking device, Tag out Lock out	✓	✓	✓	✓	✓	✓	✓	✓	✓	✓	✓
Lock-up converter	✓	✓	✓								
Log pusher							✓	✓	✓		
Logger version											✓
Long boom	✓	✓	✓	✓	✓	✓	✓		✓	✓	✓
Lube system	✓	✓	✓	✓	✓	✓	✓		✓	✓	✓
Lube system for attachment bracket	✓	✓	✓	✓	✓	✓	✓		✓		
Lunch box holder	✓	✓	✓	✓	✓	✓	✓	✓	✓	✓	✓
Max boom height	✓	✓	✓	✓	✓	✓	✓		✓	✓	✓
Mudflap kit front/rear for plastic front mudguards for 65-series tires				✓	✓						
Mudflap kit front/rear for plastic front mudguards for 80-series tires				✓	✓						
Mudflap kit front/rear for plastic/steel fr mudguards for 65-series tires	✓	✓	✓	✓	✓						
Mudflap kit front/rear for plastic/steel front mudguards for 80-series tires	✓	✓	✓	✓	✓						
Mudguard widener, front/rear for 65-series tires						✓	✓		✓	✓	
Mudguard widener, front/rear for 80-series tires						✓	✓		✓	✓	
Mudguard widener, steel						✓	✓		✓		
Mudguards, front and short rear, plastic front for 65-series tires				✓	✓						
Mudguards, front and short rear, plastic/sheet metal for 65-series tires	✓	✓	✓	✓	✓						
Mudguards, full cover, front steel for 80-series tires				✓	✓						
Mudguards, full cover, front/rear for 65-series tires						✓	✓		✓	✓	
Mudguards, full cover, front/rear for 80-series tires						✓	✓		✓	✓	
Mudguards, full cover, front/rear, plastic front for 65-series tires				✓	✓						
Mudguards, full cover, front/rear, plastic/sheet metal for 65-series tires	✓	✓	✓	✓	✓						
Mudguards, full cover, rear for 80-series tires	✓	✓	✓	✓	✓						
Mudguards, full cover, wideners and protection included								✓			
No Anti-Rust Agent	✓	✓	✓	✓	✓	✓	✓	✓	✓	✓	✓
Noise reduction kit						✓	✓	✓	✓	✓	
Noise reduction kit, Europe, excluding decal	✓	✓	✓	✓	✓						
Oil cooler and filter for front and rear axle		✓	✓	✓	✓	✓	✓		✓		
Oil cooler for front + rear axle											✓
Oil sampling valve	✓	✓	✓	✓	✓	✓	✓	✓	✓	✓	✓
Operator's seat, ISRI, heated, high back	✓	✓	✓								
Operator's seat, ISRI, low back	✓	✓	✓								
Operator's seat, Premium Comfort ISRI	✓	✓	✓	✓	✓	✓	✓	✓	✓	✓	✓
OptiShift with lock-up RBB				✓	✓						
Parking brake alarm, audible for air-suspended seats	✓	✓	✓	✓	✓	✓	✓	✓	✓	✓	✓
Power LED package	✓	✓	✓	✓	✓	✓	✓		✓	✓	✓
Pre-cleaner for hot slag, oil bath type, heat resistant						✓	✓		✓		
Protection under front frame						✓	✓		✓		
Protection, HIJ link						✓	✓		✓		
Radar detect system including rearview camera	✓	✓	✓	✓	✓	✓	✓	✓	✓	✓	✓
Radiator grill, guard	✓	✓	✓	✓	✓	✓	✓	✓	✓	✓	✓
Radiator, corrosion protection						✓	✓	✓	✓	✓	
Radio (with AUX, Bluetooth and USB connection)	✓	✓	✓	✓	✓	✓		✓	✓	✓	✓
Radio installation kit left-side	✓	✓	✓	✓	✓	✓	✓	✓	✓	✓	✓
Radio installation kit right-side	✓	✓	✓	✓	✓	✓	✓	✓	✓	✓	✓
Rear fender, steel						✓	✓		✓		
Rear footstep, wire suspended						✓	✓		✓		
Rear view camera in. monitor, colour	✓	✓	✓	✓	✓	✓	✓	✓	✓	✓	✓
Rear view mirror	✓	✓	✓	✓	✓						
Rear view mirrors, el.adjusted and heated, long arm right	✓	✓	✓	✓	✓	✓	✓		✓		
Rear view mirrors, electically adjusted and heated	✓	✓	✓	✓	✓	✓	✓	✓	✓	✓	✓
Rear view mirrors, long arm right	✓	✓	✓	✓	✓	✓	✓		✓		
Refill pump for grease to lube system	✓	✓	✓	✓	✓	✓	✓	✓	✓	✓	✓
Reflectors, machine contour				✓	✓	✓	✓	✓	✓	✓	✓

Options	L60H	L70H	L90H	L110H	L120H	L150H	L180H	L180H High-Lift	L220H	L260H	L350H
Reinforced windshield, flat	✓	✓	✓	✓	✓	✓	✓		✓		
Remote door opener	✓	✓	✓	✓	✓	✓	✓	✓	✓	✓	✓
Reverse alarm	✓	✓	✓	✓	✓	✓	✓	✓	✓	✓	✓
Reverse alarm, white noise	✓	✓	✓	✓	✓	✓	✓	✓	✓	✓	✓
Reverse warning light, strobe lightning	✓	✓	✓	✓	✓	✓	✓	✓	✓	✓	✓
Reversible cooling fan	✓	✓	✓	✓	✓	✓	✓		✓		✓
Reversible cooling fan and axle oil cooler			✓	✓	✓	✓	✓	✓	✓	✓	
Seat belt indicator, external	✓	✓	✓	✓	✓	✓	✓		✓	✓	✓
Seat belt, 3", (width 75 mm)	✓	✓	✓								
Separate attachment locking, long boom	✓	✓	✓	✓	✓	✓	✓		✓		
Separate attachment locking, standard boom	✓	✓	✓	✓	✓	✓	✓		✓		✓
Servo system Arctic				✓	✓	✓	✓	✓	✓	✓	✓
Servo system with attachment locking Arctic						✓	✓		✓		
Shortened headlight support brackets				✓	✓	✓	✓		✓	✓	
Side marker lamps	✓	✓	✓	✓	✓	✓	✓	✓			
Sign, 50 km/h	✓	✓	✓	✓	✓	✓					
Sign, slow moving vehicle	✓	✓	✓	✓	✓	✓	✓	✓			
Single acting lifting function	✓	✓	✓	✓	✓						
Single lever control, 1-2 functions	✓	✓	✓	✓	✓	✓	✓		✓	✓	✓
Single lever control, 1-2 functions, Electrical	✓	✓	✓								
Single lever control, 3 functions	✓	✓	✓	✓	✓	✓	✓		✓	✓	
Single lever control, 3 functions, Electrical	✓	✓	✓								
Single lever control, 4 functions				✓	✓	✓	✓		✓		
Single lever control, 4 functions, Electrical	✓	✓	✓								
Software, semi manual regeneration						✓	✓	✓	✓	✓	
Sound decal, EU	✓	✓	✓	✓	✓	✓	✓	✓	✓	✓	✓
Special hydraulic fixture for shipment protection								✓			
Speed limiter	✓	✓	✓	✓	✓	✓	✓	✓	✓	✓	✓
Stainless steel, brake lines		✓	✓	✓	✓	✓	✓	✓			
Steering wheel knob	✓	✓	✓	✓	✓	✓	✓	✓	✓	✓	✓
Steering, secondary	✓	✓	✓	✓	✓	✓	✓	✓	✓	✓	✓
Subwoofer	✓	✓	✓	✓	✓	✓	✓	✓	✓	✓	
Sun blinds, rear windows	✓	✓	✓	✓	✓	✓	✓	✓	✓	✓	✓
Sun blinds, side windows	✓	✓	✓	✓	✓	✓	✓	✓	✓	✓	✓
Tail light, LED lamp	✓	✓	✓	✓	✓	✓	✓	✓	✓	✓	✓
Taillight guards, heavy-duty	✓	✓	✓	✓	✓	✓	✓	✓	✓	✓	✓
Timer cab heating	✓	✓	✓	✓	✓	✓	✓	✓	✓	✓	✓
Tool kit	✓	✓	✓	✓	✓	✓	✓	✓	✓	✓	✓
Towing chain						✓	✓		✓		
Towing device							✓		✓		
Towing hitch	✓	✓	✓	✓	✓	✓	✓	✓	✓	✓	
Universal door/ignition key	✓	✓	✓	✓	✓	✓	✓	✓	✓	✓	
Volvo Airsusp, heavy duty	✓	✓	✓	✓	✓	✓	✓		✓	✓	✓
Volvo Airsusp. 2pt seat belt	✓	✓	✓	✓	✓	✓	✓		✓	✓	✓
Volvo Airsusp. 3pt seat belt	✓	✓	✓	✓	✓	✓	✓	✓	✓	✓	✓
Volvo hydraulic fluid, biodegradable	✓	✓	✓	✓	✓	✓	✓	✓	✓	✓	✓
Warning decals, text version								✓			
Warning flasher, LED beacon	✓	✓	✓	✓	✓	✓	✓	✓	✓	✓	✓
Warning flasher, LED beacon automatic	✓	✓	✓	✓	✓	✓	✓		✓	✓	✓
Wheel / axle seal guards	✓	✓	✓	✓	✓	✓	✓		✓	✓	
Wheel nut wrench kit	✓	✓	✓	✓	✓	✓	✓	✓	✓	✓	
Window, sliding, door	✓	✓	✓	✓	✓	✓	✓	✓	✓	✓	✓
Windows, side and rear, guards	✓	✓	✓	✓	✓	✓	✓	✓	✓	✓	✓
Windshield, guard	✓	✓	✓	✓	✓	✓	✓		✓	✓	✓
Work lamp, rear in grille, 4 LED lamps											✓
Work lamp, two LED lamps rear in grill and two LED lamps above head lamps, for LED travel lights	✓	✓	✓	✓	✓	✓	✓	✓	✓	✓	✓
Working light, attachments	✓	✓	✓	✓	✓	✓	✓	✓	✓	✓	
Working lights front, extra	✓	✓	✓	✓	✓	✓	✓	✓	✓	✓	✓

Options	L60H	L70H	L90H	L110H	L120H	L150H	L180H	L180H High-Lift	L220H	L260H	L350H
Working lights front, on cab, dual	✓	✓	✓	✓	✓	✓	✓		✓	✓	✓
Working lights LED side/entrance	✓	✓	✓	✓	✓	✓	✓	✓	✓	✓	✓
Working lights rear, on cab	✓	✓	✓	✓	✓	✓	✓	✓	✓	✓	✓
Working lights rear, on cab, dual	✓	✓	✓	✓	✓	✓	✓	✓	✓	✓	✓
Working lights, attachments, one LED lamp	✓	✓	✓	✓	✓	✓	✓		✓	✓	
Working lights, attachments, six LED lamp								✓			
Working lights, LED, front and rear Cab, dual	✓	✓	✓	✓	✓	✓	✓		✓	✓	✓
Working lights, LED, front and rear Cab, single	✓	✓	✓	✓	✓	✓	✓		✓	✓	✓
Working lights, reverse gear activated	✓	✓	✓	✓	✓	✓	✓	✓	✓	✓	
Year of manufacture plate	✓	✓	✓	✓	✓	✓	✓	✓	✓	✓	✓



General



CE-marking

Available for L60H, L70H, L90H, L110H, L120H, L150H, L180H, L180H High-Lift, L220H, L260H, L350H

WL87002

Decal and certificate that certifies the machine according to the European Community Machine Directive (98/37/EEC). The document "EC DECLARATION OF CONFORMITY FOR MACHINERY" as well as "EC Declaration regarding sound" are legally required when delivered to an EU member country. The decal is fitted on the PIN plate. It also be ordered by countries outside EU.

• Legal requirement in EU and EFTA.

IS NOT COMPATIBLE WITH:

For L60H, L70H, L90H, L110H, L120H, L150H, L180H, L180H High-Lift, L220H, L260H, L350H:

Identification plate, without CE-marking WL87004



Eurasia and EAC-marking

Available for L60H, L70H, L90H, L110H, L120H, L150H, L180H, L180H High-Lift, L220H, L260H, L350H

WL87006

EAC marking is a legal requirement according to the Technical regulation of Customs Union (TR CU 010/2011) "On Safety of Machines and Equipment".

PIN plate certifies that the machine fulfills the legal requirement.

• Legal requirement



Year of manufacture plate

Available for L60H, L70H, L90H, L110H, L120H, L150H, L180H, L180H High-Lift, L220H, L260H, L350H

WL87004

Adds a pinplate with the year of manufacture.

- Required by law in some countries.

IS NOT COMPATIBLE WITH:

Identification plate with CE-marking WL87002



Sign, 50 km/h

Available for L60H, L70H, L90H, L110H, L120H, L150H

WL84002

The sign indicates to traffic that machine is traveling at speeds greater than 30 km/h on public roads.

- Required by law in Sweden for machines with a design speed higher than 30 km/h and a maximum speed of 50 km/h driving on public roads, regardless of the actual max speed within the range.

IS NOT COMPATIBLE WITH:

For L60H, L70H, L90H

License plate holder, lighting left side WL50007 Sign, slow moving vehicle WL84001

For 110H, 120H

License plate holder, lighting left side WL50007 Sign, slow moving vehicle WL84001

Shortened headlight support brackets WL86025

For 150H

Sign, slow moving vehicle WL84001



Sound decal, EU

Available for L60H, L70H, L90H, L110H, L120H, L150H, L180H, L180H High-Lift, L220H, L260H, L350H

WL87001

This equipment contains decals declaring interior and exterior sound levels.

- Fulfills the legal requirement in all EU countries as well as some others.

REQUIRES THIS OPTION:

Noise reduction kit, EU excl. decal WL46002

Noise reduction kit, incl. wheel housing LH side WL46003



Warning decals, text version

Available for L180H High-Lift

WL83006

Warning decals with the word WARNING written in English.

- Required by law in some countries.

IS NOT COMPATIBLE WITH:

Decals, English/Spanish WL83001 Decals, USA WL83002



Sign, slow moving vehicle

Available for L60H, L70H, L90H, L110H, L120H, L150H, L180H, L180H High-Lift

WL84001

Warns traffic of vehicles moving slower than 30 or 40 km/h (depending on national road requirements).

- Required by law in many countries when driving up to 30 or 40 km/h on public roads.
- Safety

Engine



Air pre-cleaner, oil-bath type

Available for L60H, L70H, L90H, L110H, L120H, L150H, L180H, L180H High-Lift, L220H, L260H, L350H

WL31003

When working in extremely dusty environments, an extra oil-bath air pre-cleaner is recommended to be installed in series with the existing dry filter air cleaner. The system is designed to catch dust particles prior to entry into the air filter. This effectively reduces wear on the standard air filter. Higher capacity for removal of coarse particles.

- The oil-bath filter can be cleaned and used again.
- Extends maintenance interval of standard air cleaner.
- Ideal for extremely dusty environments.

Also available as aftermarket option.

IS NOT COMPATIBLE WITH for L60H, L70H, L90H, L110H, L120H, L150H, L180H, L180H High-Lift, L220H, L260H, L350H

Air pre-cleaner, turbo type WL31001

Pre-cleaner for hot slag, oil bath type, heat resistant WL97026

Air pre-cleaner, cyclone type WL31002

Cab air pre-cleaner, cyclone type WL45012

REQUIRES THIS OPTION for L60Gz, L90Gz, L120Gz, L60H, L70H, L90H, L110H, L120H, L150H, L180H, L180H High-Lift, L220H, L260H, L350H:

Rear view mirrors, el.adjusted and heated, long arm right WL45203 or
Rear view mirrors, long arm right WL45202

Pre-cleaner for hot slag, oil bath type, heat resistant

Available for L150H, L180H, L220H

WL97026

When working in extremely dusty environments, an extra oil-bath air pre-cleaner is recommended to be installed in series with the existing dry filter air cleaner.

The system is designed to catch dust particles prior to entry into the air filter. This effectively reduces wear on the standard air filter. Higher capacity for removal of coarse particles.

This oil bath pre-cleaner uses fire resistant hydraulic oil instead of standard oil.

- The oil-bath filter can be cleaned and used again.
- Extends maintenance interval of standard air cleaner.
- Ideal for extremely dusty environments.

IS NOT COMPATIBLE WITH:

Air pre-cleaner, turbo type WL31001

Air pre-cleaner, oil-bath type, WL31003

Air pre-cleaner, cyclone type WL31002

Cab air pre-cleaner, cyclone type WL45012

REQUIRES THIS OPTION:

Rear view mirrors, el.adjusted and heated, long arm right WL45203 or
Rear view mirrors, long arm right WL45202



Air pre-cleaner, cyclone type

Available for L60H, L70H, L90H, L110H, L120H, L150H, L180H, L180H High-Lift, L220H, L260H, L350H

WL31002

The cyclone type, air pre-cleaner is an excellent solution that reduces downtime and maintenance costs in environments with a lot of debris in the air. The system is designed to catch large particles prior to entry into the air filter. This effectively reduces wear on the standard air filter.

- Extends air filter life by approximately seven times compared to standard cleaner.
- Lowers cost per operating hour.
- Reduces downtime.
- Expels all types of mixed debris, including mud, snow, rain, leaves, sawdust and dust.
- Maintains engine performance.
- Non-reflective finish for reduced glare and good visibility.
- Works in all weather conditions.
- Lowers overall engine maintenance costs.

Also available as aftermarket option.

IS NOT COMPATIBLE WITH:

Air pre-cleaner, turbo type WL31001

Air pre-cleaner, oil-bath type WL31003

REQUIRES THIS OPTION:

Rear view mirrors, el.adjusted and heated, long arm right WL45203 or

Rear view mirrors, long arm right WL45202



Air pre-cleaner, turbo type

Available for L60H, L70H, L90H, L110H, L120H, L150H, L180H, L180H High-Lift, L220H, L260H

WL31001

The turbo type, air pre-cleaner is an excellent solution that reduces downtime and maintenance costs in environments with a lot of debris in the air. The system is designed to catch large particles prior to entry into the air filter. This effectively reduces wear on the standard air filter.

- Increased purification of the induction air.
- Increased service intervals for the standard air pre-cleaner.
- Increased cleaning of induction air.

Also available as aftermarket option.

IS NOT COMPATIBLE WITH for L60H, L70H, L90H, L110H, L120H, L150H, L180H, L180H High-Lift, L220H, L260H:

Air pre-cleaner, oil-bath type WL31003

Air pre-cleaner, cyclone type WL31002

REQUIRES THIS OPTION:

For L110H, L120H, L150H, L180H, L180H High-Lift, L220H, L260H

Rear view mirrors, el.adjusted and heated, long arm right WL45203 or

Rear view mirrors, long arm right WL45202



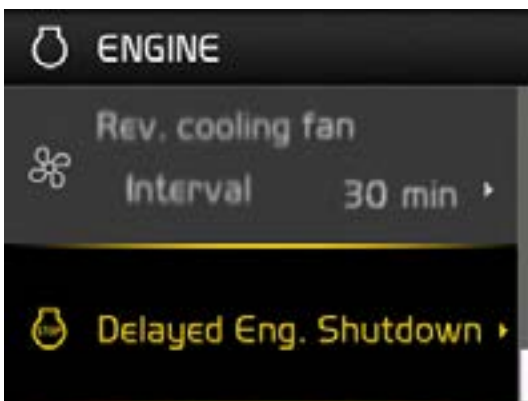
Engine auto shutdown

Available for L60H, L70H, L90H, L110H, L120H, L150H, L180H, L180H High-Lift, L220H, L260H, L350H

WL30011

This option prevents operators from leaving the machine running for a longer time with engine at low idle. Engine shutdown takes place after a predetermined time (between 2 and 50 minutes) which is set with a Volvo service tool.

- The engine will shut down but not other equipment like work lights etc.
- Reduces fuel consumption.
- Reduced impact on the environment.
- Reduced operating cost
- Durability



Engine shutdown, delayed

Available for L60H, L70H, L90H, L110H, L120H, L150H, L180H, L180H High-Lift, L220H, L260H, L350H

WL30024

Reduce engine wear with delayed engine shutdown. The intelligent function turns off the machine when the turbo charger has cooled down to the appropriate temperature.

This allows the operator to shut down the machine and leave with the ignition key - while the engine will keep running until the turbo is cool. Activation and deactivation of the Engine shutdown timer is set by the operator through the HMI driver interface. It is also possible for the operator to set a certain delay time.

The battery will be on during the entire shutdown timer phase and the lights will be turned off, as with ordinary key shutdown.

- Reduces turbo damages
- No need for the operator to keep track of elapsed cool down time since the function automatically shutdown the engine when the turbo is cool.
- Operator can leave the machine, bring the key and the function will handle the shutdown on its own.



Engine block heater, 230 V

Available for L60H, L70H, L90H, L110H, L120H, L150H, L180H, L180H High-Lift, L220H, L260H, L350H

WL33001

This option includes an electrical engine block heater which is connected to the engine block. It warms the cooling water. It designed to work on 230 V.

- Easier start at low temperatures.
- Reduces wear on the engine.
- Reduces emissions at start.
- Improves cold weather starting.
- Improves fuel consumption.
- Also available as aftermarket option.

L60H-90H	L110H-120H	L150H-260H	L350H
550 W	720 W	1 200 W	1 500 W



Cab heater power outlet 240V

Available for L60H, L70H, L90H, L110H, L120H, L150H, L180H, L180H High-Lift, L220H, L260H, L350H

WL45039

The option includes inlet AC socket, connecting cable and outlet AC socket in the cab for portable electric heater supplied by Volvo from the after market. Used to warm up the operator environment when the machine is not operating (e.g. parked during the night). Requires external electric AC power supply.

- Comfort.

New genuine Volvo Cab heater is available for the aftermarket.

Part number: VOE21251194

Effect : 1400 W at -25 °C

Length x Width x Height : 178 x 140 x 35 mm





CAN-BUS interface

Available for L60H, L70H, L90H, L110H, L120H, L150H, L180H, L180H High-Lift, L220H, L260H, L350H

WL88021,
WL88022

In some rare occasions, external options not provided by Volvo CE may be required to be installed into the machine. The CAN-BUS interface option makes it possible for a body-builder to access CAN-BUS communication from the machine.

Note: One-way read communication only.

Connection inside the cab.

The connector for access to the CAN-BUS is located under the glove compartment on the right side in the cab.

(The glove compartment need to be removed to access the connector)

CAN-BUS interface, Basic

Available for L60H, L70H, L90H, L110H, L120H, L150H, L180H, L180H High-Lift, L220H, L260H, L350H

WL88021

CAN-BUS interface		Configuration
Information	Unit	Basic information
Engine Speed	rpm	•
Machine Speed	km/h	•
Parking Brake State	applied/not applied	•

CAN-BUS interface, Advanced

Available for L60H, L70H, L90H, L110H, L120H, L150H, L180H, L180H High-Lift, L220H, L260H, L350H

WL88022

CAN-BUS interface		Configuration
Information	Unit	Advanced information
Engine Speed	rpm	•
Machine Speed	km/h	•
Parking Brake State	applied/not applied	•
Ambient Temperature	°C	•
Current Gear	F/R 1-4	•
Engine Load	%	•
Yellow Alarm Active	active/inactive	•
Red Alarm Active	active/inactive	•
Current Fuel Consumption	l/h	•
Machine Hours	h	•



Max boom height

Available for L60H, L70H, L90H, L110H, L120H, L150H, L180H, L220H, L260H, L350H

WL65013

This option sets limit the height of the lift arms.

This function reduces the risk of accidents when working close to electrical lines, tunneling or indoor work with limited lifting space.

Minimizes the risk of accidents or unnecessary and costly damages to cargo, work sites, buildings and machine.

Max. boom height must not be confused with the Automatic lift (boom kick-out) function which is standard in the machine.

– When the Automatic lift reach its set height the operator can override this by pulling the lever.

– The Max. boom height is not possible to override unless its turned off.



Fuel filter extra

Available for L150H, L180H, L180H High-Lift, L220H, L260H

WL30016

The standard filter setup is designed to handle low quality fuels but if the fuel quality is too low the customer experiences problems with decreased filter life and rapid water build up in the pre filter water container. The optional extra fuel filter addresses this issue by adding an extra pre-fuel filter between the fuel tank and the Volvo standard filter setup. The fuel filter extra has an exchangeable filter element and a large water container with a drain valve in the bottom. The filter is positioned in the engine compartment for easy maintenance.

- Increased water separation capacity due to added water container.
 - Increased filtration capacity from the added exchangeable filter (10 µm).
 - Easy access to the drain valve in bottom of the water container.
- Also available as aftermarket option.



Additional fuel filter and hoses for hot applications

Available for L150H, L180H, L220H

WL97028

The standard filter set-up is designed to handle low quality fuels, but if the fuel quality is too low the customer experiences problems with decreased filter life and rapid water build up in the pre filter water container. The optional extra fuel filter addresses this issue by adding an extra pre-fuel filter between the fuel tank and the Volvo standard filter setup. The fuel filter extra has an exchangeable filter element and a large water container with a drain valve in the bottom. The filter is positioned in the engine compartment for easy maintenance.

This option includes a hose for demanding environments where high temperature, high pressure, chemical resistance and elastic characteristics are required. Excellent for paint, fuels, hydraulic oils and food, for example. Age resistant.

The inner tube is not an active conductor. Stainless reinforcement according to AISI 304. Fulfills the requirements of ISO 7840A1. Inner tube: smooth P.T.F.E. (Teflon®)

Cover: CSM

Reinforcement: one braid of stainless steel wire

Safety factor: 4:1

Temperature: -60°C (-76°F) – +250°C (483°F)

(Cover: -40°C (-40°F) – +150°C (302°F))

- Increased water separation capacity due to added water container.
- Increased filtration capacity from the added exchangeable filter (10 µm).
- Easy access to the drain valve in bottom of the water container.



Fuel heater

Available for L60H, L70H, L90H, L110H, L120H, L150H, L180H, L180H High-Lift, L220H, L260H, L350H

WL30008

In addition to the standard fuel pre-filter and water separation, this equipment provides continuous heating of the fuel during the operation of the machine. This prevents the fuel from reaching cloud point at which paraffin in the fuel solidifies.

- Gentle engine heating – lower fuel consumption.
- Economical and engine-friendly by eliminating diesel additives.
- Reduces exhaust emissions.



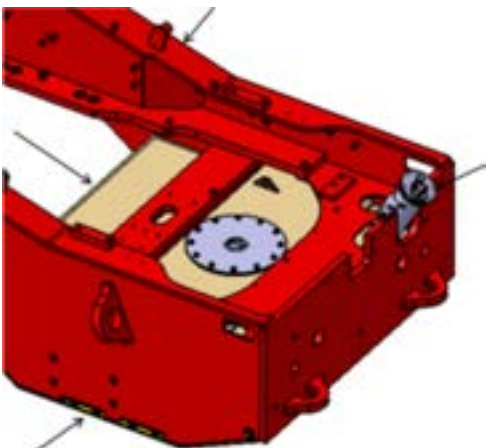
Fuel fill strainer

Available for L60H, L70H, L90H, L110H, L120H, L150H, L180H, L180H High-Lift, L220H, L260H, L350H

WL30007

This option is a strainer in the filling pipe of the fuel tank.

- Reduces the risk of dirt in the fuel.



Fuel tank, steel

Available for L110H, L120H

WL30021

Steel fuel tank complete with belly guard protective plate.

- Designed for special applications where heat is an issue or similar.
- Note: standard on L150H, L180H, L180H High-Lift, L220H, L260H, L350H



Fast fill fueling system

Available for L350H

WL30012

This option helps to reduce downtime when fueling the machine by adding a fast fill refueling system to the fuel tank.

- Refueling time is reduced by 66% due to high flow fuel delivery.
- Reduces foaming due to fuel entering bottom of the tank rather than traditional splash filling at the top of the tank.
- Reduces spillage because the nozzle automatically turns off when the tank is full.



Hand throttle control

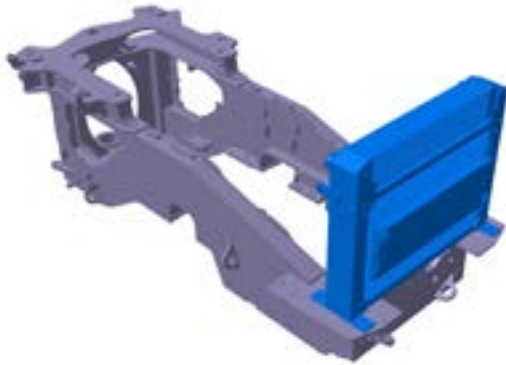
Available for L60H, L70H, L90H, L110H, L120H, L150H, L180H, L180H High-Lift, L220H, L260H, L350H

WL30009

The hand control is used to set and lock the engine speed to a desired rpm level.

- Efficiently match the engine speed to the application.
- Perfect to use with, for example, sweeper attachments.

Also available as aftermarket option



Radiator, corrosion protection

Available for L150H, L180H, L180H High-Lift, L220H, L260H

Special surface treatment protects both radiator and charge air cooler against corrosion, for machines in applications like salt, fertilizer, and agriculture.

- Protects the radiator and extends the service life in aggressive environments.

Radiator, corrosion protection

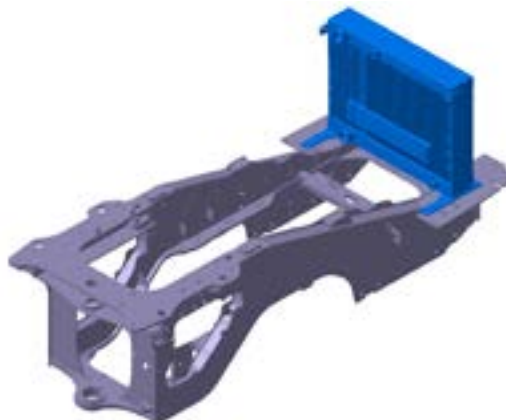
Available for L150H, L180H, L180H High-Lift, L220H, L260H

WL30017

Radiator, corrosion protection for Stage II

Available for L150H, L180H, L180H High-Lift, L220H

WL30022



Cooling package, radiator, charge air cooler, hydraulic oil cooler corrosion protection

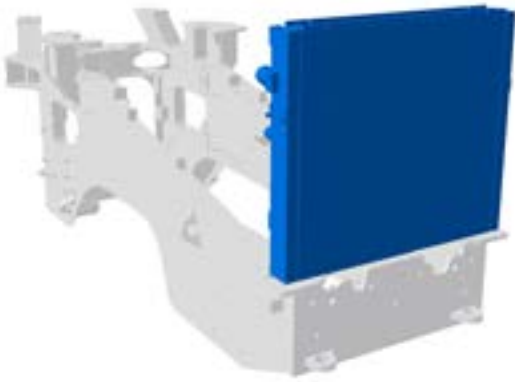
Available for L60H, L70H, L90H, L110H, L120H

WL30010

Special surface treatment protects radiator, charge air cooler and hydraulic oil cooler against corrosion, for machines in applications like salt, fertilizer, and agriculture.

- Protects the radiator, charge air cooler, hydraulic oil cooler and extends the service life in aggressive environments.

IS NOT COMPATIBLE WITH: Radiator, corr. prot. WL30017



Cooling package: radiator and charge air cooler, corrosion protection

Available for L350H

WL30013

Special surface treatment protects both radiator and charge air cooler against corrosion under alkaline conditions.

- Provide long service life in aggressive environments.



Radiator grill, guard

Available for L60H, L70H, L90H, L110H, L120H, L150H, L180H, L180H High-Lift, L220H, L260H, L350H

This option is intended to protect the grill, cooling fan, radiator and condenser cores from possible damage. The guard is hinged to facilitate easy access for cleaning or maintenance. The radiator grill guard is especially effective in applications where the cooling components can otherwise be easily damaged.

- Protects vital components from damage in severe applications.
- Decreases downtime due to damages.

Also available as aftermarket option.

REQUIRES THIS OPTION:

In countries where ISO 5006:2006 needs to be fulfilled

- For L110H-L120H

Rear view camera including monitor, color WL45016 or Radar detect system, including rearview camera WL45041 or Load Assist, including rearview camera WL45043

IS NOT COMPATIBLE WITH:

- For L150H

License plate holder, lighting WL50006

Kit, Germany WL88002

Radiator grill, guard

Available for L60H, L70H, L90H, L110H, L120H, L150H, L180H, L180H High-Lift, L220H, L260H, L350H

WL86023



Reversible cooling fan

Available for L60H, L70H, L90H, L110H, L120H, L150H, L180H, L220H, L350H

WL37001

To prevent the radiator from clogging up in very dirty environments, the machine can be equipped with a reversible cooling fan. The fan is set to temporarily change direction to blow the radiator clean.

- Removes debris from the radiator/cooling cores.
- Prevents the engine from overheating.

Also available as aftermarket option.

Note: standard on L180H High-Lift, L260H

IS NOT COMPATIBLE WITH:

Reversible cooling fan and axle oil cooler WL37002 Oil cooler and filter for front and rear axle WL34003



Reversible cooling fan and axle oil cooler

Available for L70H, L90H, L110H, L120H, L150H, L180H, L180H High-Lift, L220H, L260H

WL37002

This option consists of both reversible cooling fan and axle oil cooler. To prevent the radiator from clogging up in very dirty environments, the machine may be equipped with a reversible cooling fan. The fan is set to temporarily change direction to blow the radiator clean. External axle oil cooler for each axle provides effective cooling of the axle oil. Furthermore the axle oil is filtered by separated oil filters for each axle.

- Removes debris from the radiator/cooling cores.
- Prevents engine overheating.
- Minimizes the risk of overheating the axle oil and the brakes.
- Continued cooling for as long as the engine is running.
- Increases the working temperature of the axle in very cold working conditions to reduce friction and, as a result, the fuel consumption.

IS NOT COMPATIBLE WITH:

Reversible cooling fan WL37001

Oil cooler and filter for front and rear axle WL34003



Software, semi manual regeneration

Available for L150H, L180H, L180H High-Lift, L220H, L260H

WL36005

This option is for customers that are working in hazardous environments, ie: transfer stations / enclosed buildings etc. Regeneration of the after treatment system must be activated manually, via the switch in the operators cabin.

Electrics



License plate holder, lighting

Available for L60H, L70H, L90H, L110H, L120H, L150H, L180H, L180H High-Lift, L220H, L260H

WL50006

In order to satisfy governmental requirements in certain markets, an illuminated license plate mounting bracket is available for the machines.

- Fulfills on-road regulations in certain markets.
- The light allows the plate to be seen at night.

IS NOT COMPATIBLE WITH:

- For L60H, L70H, L90H, L110H, L120H

License plate holder, lighting left side, WL50007

- For L150H, L180H, L180HL, L220H, L260H

Radiator grille, guard WL86016

License plate holder, lighting left side, WL50007



License plate holder, lighting, left side

Available for L60H, L70H, L90H, L110H, L120H, L150H

WL50007

In order to satisfy governmental requirements in some countries (eg: Italy and Germany), an illuminated license plate mounting bracket located on the left side is available for the machines.

- Fulfills on-road regulations in certain markets.
- The light allows the plate to be seen at night.



Reverse warning light, strobe lightning

Available for L60H, L70H, L90H, L110H, L120H, L150H, L180H, L180H High-Lift, L220H, L260H, L350H

WL50012

The reversing warning light is intended to warn personnel of potential hazard of reversing machines. The light is lit when reverse gear is engaged.

The main application is during the day and at night or when "silent traffic is commanded" e.g in the town centre, near hospitals or during snow cleaning, the reverse audible alarm can be substituted by reversing warning light.

Notes: there is a requirement in USA and Canada for an audible reverse alarm which means that the audible warning alarm can't be substituted with a reversing warning light. Before assembling a strobe lamp on the machine, check local/national regulation.

- Increases job site safety.



Warning flasher, LED beacon

Available for L60H, L70H, L90H, L110H, L120H, L150H, L180H, L180H High-Lift, L220H, L260H, L350H

WL51003

A cab-mounted strobe light warning beacon, which can be folded down when overall height needs to be reduced. The beacon is designed for continuous operation and emits a flashing orange (amber) strobe light. This increases safety on crowded job sites and during road maintenance operations.

The LED warning flasher can manually activated light with a switch inside the cab.

- The maintenance free, LED beacon has no moving parts or light bulbs, which provides a long service life.
- Usage of high quality materials, together with LED technology, makes this warning beacon suitable to last in heavy duty applications.
- The beacon is sealed and protected against dust and high pressure water jets.
- The warning flasher beacon option on the L180H High-Lift includes two beacons.

Also available as aftermarket option.



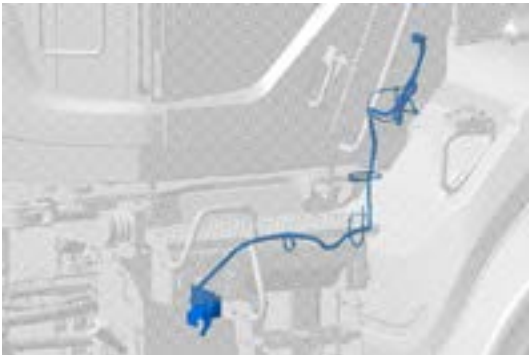
Warning flasher, LED beacon automatic

Available for L60H, L70H, L90H, L110H, L120H, L150H, L180H, L220H, L260H, L350H

WL51004

A cab-mounted strobe light warning beacon, which can be folded down when overall height needs to be reduced. The beacon is designed for continuous operation and emits a flashing orange (amber) strobe light. This increases safety on crowded job sites and during road maintenance operations. The LED warning flasher is automatically activated by turning on the main switch. The automatic option is to visually secure that the main switch is off when parking the machine and also for sites where continuous use of warning lights are required.

- The maintenance free, LED beacon has no moving parts or light bulbs, which provides a long service life.
- Usage of high quality materials, together with LED technology, makes this warning beacon suitable to last in heavy duty applications.
- The beacon is sealed and protected against dust and high pressure water jets.

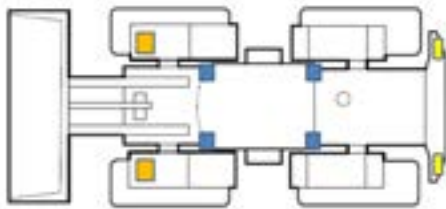


Emergency stop, exterior

Available for L60H, L70H, L90H, L110H, L120H, L150H, L180H, L180H High-Lift, L220H, L260H

WL86042

An external engine stop button, conveniently located under the cab entrance, facilitates quick engine shutdown in case of an emergency. Safety.



- Headlights LED
- Tail lights LED
- Work lights LED long range
- Work lights LED flood range

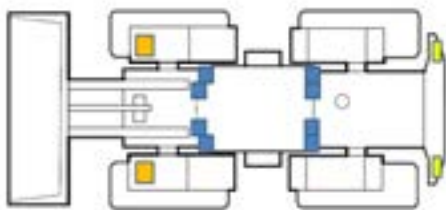
Economy LED package

Available for L60H, L70H, L90H, L110H, L120H, L150H, L180H, L180H High-Lift, L220H, L260H, L350H

WL50022

This package is a combination of the following options:

- WL50013 work lights 2 LED front and rear on cab
- WL50017 tail light LED
- WL50020 headlights assym LED right (right version is the default, can be changed by user to WL50019, headlights assym Left LED).



- Headlights LED
- Tail lights LED
- Work lights LED long range
- Work lights LED flood range

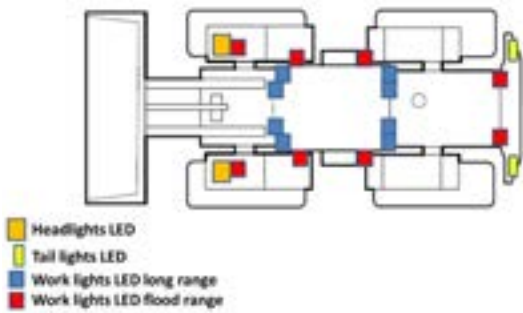
Feature LED package

Available for L60H, L70H, L90H, L110H, L120H, L150H, L180H, L180H High-Lift, L220H, L260H, L350H

WL50023

This package is a combination of the following options:

- WL50014 work lights 4 LED front and rear on cab
- WL50017 tail light LED
- WL50020 headlights assym LED right (right version is the default, can be changed by user to WL50019, headlights assym Left LED) .



Power LED package

Available for L60H, L70H, L90H, L110H, L120H, L150H, L180H, L220H, L260H, L350H

WL50024

This package is a combination of the following options:

- WL50014 work lights 4 LED front and rear on cab
- WL50017 tail light LED
- WL50020 headlights assym LED right (right version defaulted, can be changed by user to WL50019, headlights assym left LED)
- WL50015 cab side and entrance light LED
- WL50021 LED work lights front and rear for LED



Working lights, LED, front and rear Cab, single

Available for L60H, L70H, L90H, L110H, L120H, L150H, L180H, L220H, L260H, L350H

WL50013



Working lights, LED, single, front and rear cab

Work lamp, front on cab, 2 LED lamps.

Work lamp, rear on cab, 2 LED lamps.

6 high-performance LED - 1.850 Lumen

Efficient 26 Watt power consumption

Housing thermo conductive plastic (Hella patented)

Bracket stainless steel

IP6K9K and IP6K7

Close range and long range illumination patters

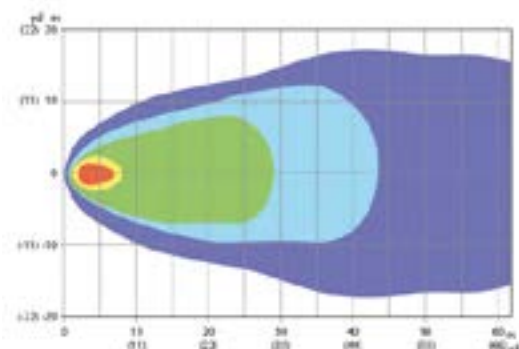
Housing Aluminium, painted black

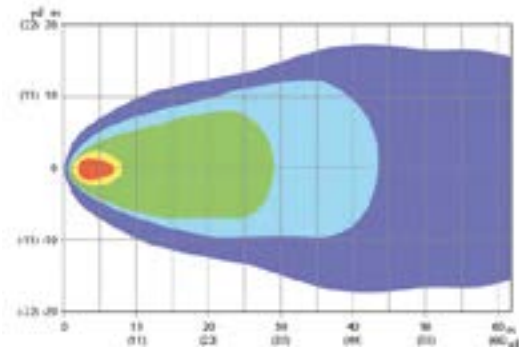
IS NOT COMPATIBLE WITH:

Work lamp, front, on cab, dual , 4 Halogen lamps WL50008 Work lamp,

front on cab, 4 LED lamps WL50014

Work lamp, rear on cab, dual, 4 Halogen lamps WL50010





Working lights, LED, front and rear Cab, dual

Available for L60H, L70H, L90H, L110H, L120H, L150H, L180H, L220H, L260H, L350H

WL50014

Work lamp, front on cab, 4 LED lamps.

Work lamp, rear on cab, 4 LED lamps.

Light source 6 high-power LEDs

Power consumption 22 W

Light output 1,300 lm

Colour temperature 5,700° Kelvin

Protection class IP 6K9K and IP 6K7

Type approval

Housing Aluminium, painted black

Also available as aftermarket option.

IS NOT COMPATIBLE WITH:

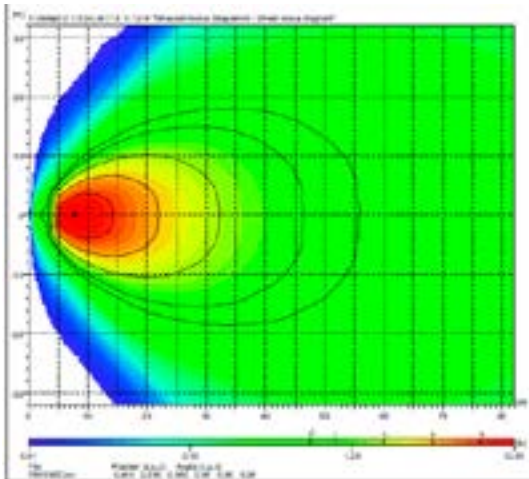
Work lamp, front, high intensity (HID), 2 Xenon lamps WL50004 Work

lamp, front, on cab, dual, 4 halogen lamps WL50008 Work lamp, rear on

cab, 2 halogen lamps WL50009

Work lamp, front on cab, 2 LED lamps WL50013

Work lamp, rear on cab, dual, 4 halogen lamps WL50010



Working lights LED side/entrance

Available for L60H, L70H, L90H, L110H, L120H, L150H, L180H, L180H High-Lift, L220H, L260H, L350H

WL50015

Four LED working lights mounted at the side of the cab for better visibility around the machine. Also includes an illuminated entrance light for safely entering the cab in darkness. Flood light type.

The entrance light is one of the four (4) side lights. It will stay on for three (3) minutes to give the Operator time to enter the machine safely. After three (3) minutes the green light will turn off.

In order to activate the ILLUMINATED entrance light again, push the button and the entrance will light up for an additional three (3) minutes.

- Safer entrance and better visibility in darkness.

Also available as aftermarket option.



LED Headlights, asymmetric, right LED Headlights, asymmetric, left

Available for L60H, L70H, L90H, L110H, L120H, L150H, L180H, L180H High-Lift, L220H, L260H, L350H

WL50019,
WL50020

Spreads a brighter light over a wider area.

- High durability and long life time.
- Light intensity does not fade overtime
- Energy saving

Rated voltage: 24 V

Low beam: 25 W

High beam: 40 W

Dir. Indicator: 7 W (21 W impulse, both) Pos. light: 0.8 W



Work lamp, two LED lamps rear in grill and two LED lamps above head lamps, for LED travel lights

Available for L60H, L70H, L90H, L110H, L120H, L150H, L180H, L180H High-Lift, L220H, L260H, L350H

WL50021

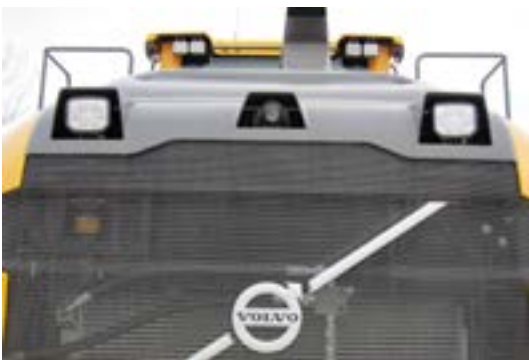
Two extra working lamps, flood light type, mounted on front headlight support and two LED lamps replacing the standard halogen work lamps in the grill at rear. Durable aluminium housing and heavy duty support bracket meets the demands of tough applications. Flood light type spreads the light over a wider area.

- High durability and long life time.
- Light intensity does not fade over time.
- Energy saving.

Operating voltage multi-voltage 9-33 V
 Recommended inclination angle: 10°-12°
 6 high-performance LEDS - 1.850 Lumen
 Power consumption: 26 Watt

Housing: thermo conductive plastic (Hella patented)
 IP6K9K and IP6K7

Also available as aftermarket option.



Work lamp, rear in grille, 4 LED lamps

Available for L350H

WL50016

4 work lamps, rear in grille.
 6 high-performance LED lights - 1.850 Lumen
 Power consumption: 26 W
 Housing: thermo conductive plastic (Hella patented)
 IP6K9K and IP6K7





Tail light, LED lamp

Available for L60H, L70H, L90H, L110H, L120H, L150H, L180H, L180H High-Lift, L220H, L260H, L350H

WL50017

- High durability and long life time.
- Light intensity that does not fade overtime
- Energy saving
- Is retrofittable for –E and –F and G machines



Taillight guards, heavy-duty

Available for L60H, L70H, L90H, L110H, L120H, L150H, L180H, L180H High-Lift, L220H, L260H, L350H

WL85003

These heavy-duty taillight guards protect the taillights and turn signals from debris that may break them off, damaging the lenses and preventing the lights from functioning properly.

- Increases protection against debris.
- Longer service time for taillight.
- Less downtime as fewer repairs required.
- Saves the cost of replacing expensive parts.



Headlights, front, guards

Available for L60H, L70H, L90H, L110H, L120H, L150H, L180H, L180H High-Lift, L220H, L260H, L350H

WL85001

This option includes steel protection for the headlights, direction indicators and working lights.

- Protects the lights from mechanical damage.
 - Less downtime as fewer repairs required.
 - Saves the cost of replacing expensive parts.
- Also available as aftermarket option.



Shortened headlight support brackets

Available for L110H, L120H, L150H, L180H, L220H, L260H

WL86025

With this option, the headlight assemblies have been relocated closer to the front frame for better protection from possible damage.

Note: not allowed for public road traveling.

- Increases protection from possible damage.
- Less downtime due to fewer repairs being required.
- Saves the cost of replacing expensive parts.

IS NOT COMPATIBLE WITH:

- For L110H, L120H

Fire extinguisher WL86033

Side marker lamps WL50001

Kit, Germany WL88002

- For L150H, L180H, L220H, L260H or L180H High-Lift Lube system, automatic, standard boom WL70003 Lube system, automatic, Long boom WL70005



Working lights, attachments, one LED lamp

Available for L60H, L70H, L90H, L110H, L120H, L150H, L180H, L220H, L260H

WL50018

This option includes an attachment light which is mounted between the lift arms on the left side of the front frame. It provides better illumination of the area around the attachment and load in dark conditions.

- Better visibility under and around the attachment.
- Increased job site safety

6 high-performance LED lights - 1.850 Lumen

Power consumption: 26 W

Housing: thermo conductive plastic (Hella patented)

IP6K9K and IP6K7

Also available as aftermarket option.



Working lights, attachments, six LED lamp

Available for L180H High-Lift

WL50025

LED working lights for L180H high lift aggregate.

6 high-performance LED lights - 1.850 Lumen

Power consumption: 26 W

Housing: thermo conductive plastic (Hella patented)



Working lights front, on cab, dual

Available for L60H, L70H, L90H, L110H, L120H, L150H, L180H, L220H, L260H, L350H

WL50008

This option adds two extra working lights, one on each side of the machine, which are mounted together with standard working lights on the front side of the cab.

- More efficient working light.
- Increased safety of working environment.
- Can be individually adjusted in different angles.



Working lights rear, on cab

Available for L60H, L70H, L90H, L110H, L120H, L150H, L180H, L180H High-Lift, L220H, L260H, L350H

WL50009

This option adds two working lights, one on each side of the machine, which are mounted on the rear side of the cab.

- Better visibility over the rear working area.
- Adjustable in both horizontal and vertical directions.

IS NOT COMPATIBLE WITH:

Work lamp, rear on cab, dual, four halogen lamps WL50010



Working lights rear, on cab, dual

Available for L60H, L70H, L90H, L110H, L120H, L150H, L180H, L180H High-Lift, L220H, L260H, L350H

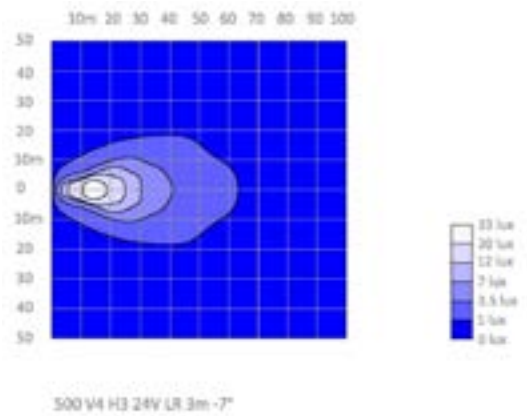
WL50010

This option adds four extra working lights, two on each side of the machine, which are mounted on the rear side of the cab.

- Better visibility over the rear working area.
- Can be individually adjusted to different angles.

IS NOT COMPATIBLE WITH:

Work lamp, rear on cab, 2 Halogen lamps WL50009



Working lights front, extra

Available for L60H, L70H, L90H, L110H, L120H, L150H, L180H, L180H High-Lift, L220H, L260H, L350H

WL50003

The standard working lights are complemented with two extra working lights which are located on the console for the headlights, one on each side of the machine. They are adjustable in both horizontal and vertical directions.

- Improves safety on the job site. Increased visibility means reduced risk.
- Improves visibility on the job site, making operating at night/ underground less of a strain for the operator.
- Individually adjustable.



Working light, attachments

Available for L60H, L70H, L90H, L110H, L120H, L150H, L180H, L180H High-Lift, L220H, L260H

WL50005

This option includes an attachment light which is mounted between the lift arms on the left side of the front frame. It provides better illumination of the area around the attachment when loading in dark conditions.

- Better visibility under and around the attachment.
- Increased job site safety.



Headlights, asymmetric left

Available for L60H, L70H, L90H, L110H, L120H, L150H, L180H, L180H High-Lift, L220H, L260H, L350H

WL50002

Asymmetrical headlights for left-hand side traffic.

- For certain markets with left hand traffic.



Working lights, reverse gear activated

Available for L60H, L70H, L90H, L110H, L120H, L150H, L180H, L180H High-Lift, L220H, L260H

WL50011

The rear working light control switch for the machines without this option has three positions:

Position (1) - The function is deactivated

Position (2) - All rear working lights switched on

Position (3) - The rear working lights are switched on when the reverse is engaged.

With this option installed on the machine, the rear working lights can not be turned off. In positions (1) and (2), they will be constantly turned on to act as working lights and in position (3) they are switched to work as reverse lights.



Side marker lamps

Available for L60H, L70H, L90H, L110H, L120H, L150H, L180H, L180H High-Lift

WL50001

Amber side marker lamps that replace the standard side marker reflectors on the side of the front headlamp retainers

- Increased job site on road safety.
- Fulfills governmental regulations in certain markets.



Connector for connecting power electric tools

Available for L110H, L120H, L150H, L180H, L180H High-Lift, L220H, L260H, L350H

WL88012

Maintenance staff, customers & operators can use it for connecting a handheld light, when inspecting machines or working on machines in the dark.

Specifications.

Name: connector type 2 PIN

Performance: 24 V

Compatible: ISO 4165

Applies to: IP67, IP69K





Alternator 120 amp, heavy-duty

Available for L150H, L180H, L180H High-Lift, L220H, L260H, L350H

WL52003

A 120 amp alternator is available for applications where excess electrical equipment, such as multiple two-way radios, additional lighting, etc., will be used.

- Provides sufficient power and battery charging capacity under the following conditions:
 - Machine equipped with excess electrical equipment.
 - Frequent engine starting and stopping.
 - Low ambient temperatures.



Anti-theft device

Available for L60H, L70H, L90H, L110H, L120H, L150H, L180H, L180H High-Lift, L220H, L260H, L350H

WL86020

The purpose of the optional anti theft device is to prevent theft of the machine. When the function is activated, a correct four-digit code must be entered via keyboard and the SELECT button pressed before the engine can be started, the parking brake released and a directional gear selected. The anti-theft function may be deactivated and the code may be changed with a Volvo service tool.

- Protects the machine against unauthorized usage and theft.



Emergency stop

Available for L60H, L70H, L90H, L110H, L120H, L150H, L180H, L180H High-Lift, L220H, L260H, L350H

WL86035

The emergency stop enables a safe shutdown of the ECUs, engine and aftertreatment systems - same result as turning te key off. This means that most power-consuming features are still fed, such as starter, alternator, secondary steering, power outlets in/out the cab. Standard on L150H, L180H, L180H High-Lift, L220H, L260H (Tier 4 final engines).



Jump start connector, NATO-Type

Available for L60H, L70H, L90H, L110H, L120H, L150H, L180H, L180H High-Lift, L220H, L260H, L350H

WL53008

24-volt jump start connector (NATO std.) is available as an option. Located in the center hinge.

- Jump start connector, NATO-Type.
 - Easy and safe access to connect start cables.
 - Easy to connect and charge the batteries.
- Also available as aftermarket option.



Locking device, Tag out Lock out

Available for L60H, L70H, L90H, L110H, L120H, L150H, L180H, L180H High-Lift, L220H, L260H, L350H

WL53009

The main battery disconnection switch can be locked in the off position using a padlock.

To avoid that the battery disconnection switch is turned to on-position by mistake, e.g. in connection with maintenance work on the machine. Also to prevent unauthorized usage of the machine.

- Safety, avoid accidents during maintenance.
- No unauthorized use of the machine.



Reverse alarm

Available for L60H, L70H, L90H, L110H, L120H, L150H, L180H, L180H High-Lift, L220H, L260H, L350H

WL54001

This option adds an acoustic reverse alarm which emits an intermittent acoustic signal whenever a reverse gear is engaged. It is self-adjusted to 10 dB (A) above the surrounding noise whenever a reverse gear is engaged. Max sound pressure level 116 dB.

- Increases job site safety.

Also available as aftermarket option.

IS NOT COMPATIBLE WITH:

Reverse alarm, white noise WL54002



Reverse alarm, white noise

Available for L60H, L70H, L90H, L110H, L120H, L150H, L180H, L180H High-Lift, L220H, L260H, L350H

WL54002

This heavy duty alarm is specially designed for off-road and quarry applications.

The alarm is an intelligent system which automatically adjusts the warning sound level to 5-10 dB above the surrounding noise.

The multi-frequency sound gives quicker directional information than a traditional "beeping" sound. This reduces the risk of confusion as to from which direction the sound is coming. "White noise" is created by a multiple range of frequencies which increases the chance of hearing and locating the warning, even when hearing protection is used. This warning sound dissipates quickly the further away the machine operates. This will contribute to a higher attention to the alarm since it's mainly heard in the operating zone of the machine.

The white noise is also preferred when operating in urban areas where traditional reverse alarms may be perceived as disturbing by habitants in close range.

Sound level: 87-107 dB - Max current: 1A - Ambient operating temperature: -40 to +85°C - Size: (WxHxD) 172 x 79 x 95mm - IP-classification: IP68

- Alarm automatically adjusts to 5-10 dB above ambient sound level.
- Multi frequency sound.
- Instantly locatable sound.
- Sound confined to danger area.
- Reduces noise nuisance.

IS NOT COMPATIBLE WITH:
Reverse alarm WL54001



Forward view camera

Available for L60H, L70H, L90H, L110H, L120H, L150H, L180H, L180H High-Lift, L220H, L260H, L350H

A forward view camera is to be fitted on wheel loaders with CE marking to meet the new visibility requirements. This only applies when a machine is equipped with an attachment that limits the front visibility in accordance with the visibility requirement standard: ISO 5006:2006 added in EN 474-1:2006 and machinery directive 2006/42/EC. For more information see PMI.

- Increases the visibility in front of the machine.
- For operation according to the visibility requirements.
- Wider forward field of view provides better operator visibility for faster response to hazards.

Also available as aftermarket option.

REQUIRES THIS OPTION:

Rear view camera incl. monitor, colour WL45016

Forward view camera

Available for L60H, L70H, L90H, L110H, L120H, L150H, L180H, L180H High-Lift, L220H, L260H, L350H

WL45030

Forward view camera for Radar detect system

Available for L60H, L70H, L90H, L110H, L120H, L150H, L180H, L180H High-Lift, L220H, L260H, L350H

WL45044



Rear view camera in. monitor, colour

Available for L60H, L70H, L90H, L110H, L120H, L150H, L180H, L180H High-Lift, L220H, L260H, L350H

WL45016

It comes with a mounting bracket with angle adjustment possibilities.

Operating temperature range. -40 to +85°C

Signal system: NTSC

Power supply: DC 24 V (range 12---32)

Camera unit:

Image (sensor) element 1/4" 4:3 VGA CMOS horizontal / vertical visual range 1150 / 860

Light sensitivity (min. illumination): 0,25 lux

Monitor unit: display element 7" RLED

• The new position is in-line with the line of vision of the side view mirrors, which makes it easier for the operator to keep an eye on both rear and side visibility.

• This increases operational safety.

• Productivity

• Comfort

• Ease of operation

Also available as aftermarket option.

IS NOT COMPATIBLE WITH:

Radar detect system, including rearview camera WL45041 or

Load Assist WL45042 or

Load Assist, including rearview camera WL45043



Radar detect system including rearview camera

Available for L60H, L70H, L90H, L110H, L120H, L150H, L180H, L180H High-Lift, L220H, L260H, L350H

WL45041

Radar detect system is an integrated, active view system which is designed to detect and see objects in zones obscured from the operator's view. The system contains a rear view camera and a radar unit which will warn the operator if an obstacle (person) is in the area behind the machine.

- Acoustic warning that increases in rate as objects come closer.

- Rear view camera visualizing the radar-zones in the display.

- Radar detect system is activated with reverse gear.

- Rugged design. Waterproof.

- Reliable under the toughest weather conditions.

Blue area: Radar detect zone.

Grey area: Camera view.

• Prevents accidents and unexpected machine downtime.

• Prevents damage to machine and surroundings.

• Improves both active and passive safety.





WL45048



WL45049

Load Assist On-Board Weighing

Available for L110H, L120H, L150H, L180H, L220H, L260H

The in-house developed option makes it easy for the machine operator to directly see the payload delivered. A register system keeps track of attachments, material, customers and trucks. Easy to reset and switch to a new receiver or change of material whenever required. Registered data can be downloaded to a USB stick and transferred to the site office for further handling or via wireless communication via mobile connection (requires SIM-card). Load Assist is integrated into the machine system which makes it possible to have productivity figures ton/fuel via CareTrack/MATRIS. The operator will be able to monitor all relevant information through Volvo Co-Pilot. The state-of-the-art 10" touch screen has been designed and tested for the toughest environments and applications Volvo Co-Pilot is fitted on an adjustable arm on the A-pillar inside the cab. The system also allows the operator to set an overload or maximum weight warning, which increases safety and the life time of the machine.

In combination with the rear view camera, Volvo Co-Pilot will automatically show the camera view when reverse gear is applied. The function can be turned off/on by pressing the camera symbol on the display.

If needed, an optional printer function is available in the system. A list of supported printers is available in the instruction manual.

Note: Printer hardware is not supplied

- Fully dynamic system.
- Connection to machine system makes it possible to produce productivity figures through CareTrack/MATRIS.
- Volvo Co-Pilot, a state-of-the-art 10" touch screen monitor developed by Volvo for easy and safe handling.
- Rear view camera function integrated.
- Overload warning, max weight in the attachment can be set.

If you want to order rear view camera, Load Assist and Radar detect system

- Radar detect system including rear camera WL45041

- Load Assist On-Board Weighing WL45048

If you want to order rear view camera, Load Assist, Radar detect system and Forward camera

- Forward Camera for Radar detect WL45044

- Radar detect system including rear camera WL45041

- Load Assist On-Board Weighing WL45048

Load Assist On-Board Weighing

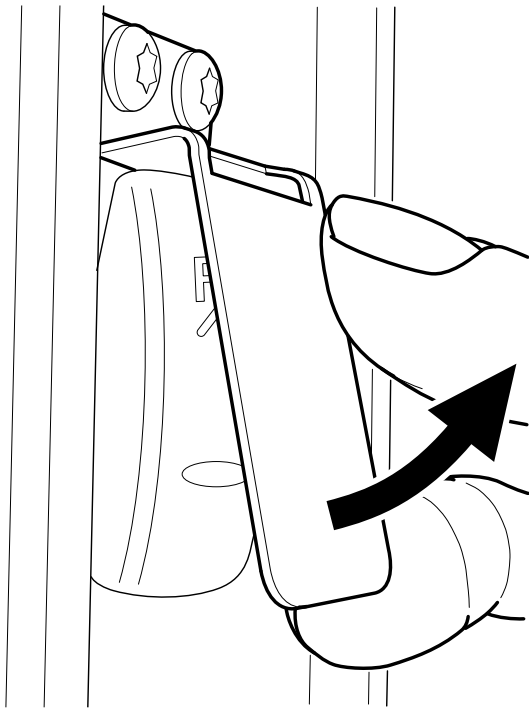
Available for L110H, L120H, L150H, L180H, L220H, L260H

WL45048

Load Assist On-Board Weighing, including rearview camera

Available for L110H, L120H, L150H, L180H, L220H, L260H

WL45049



Emergency limp home, one gear forward/reverse

Available for L150H, L180H, L220H

WL97024

Function for emergency gear shifting. First gear forward and reverse.

Only to be used to protect persons or buildings from injuries if electrical failure occurs in the machine computer.

Forced reverse/forward machine operation is possible in first gear.

This is done in an emergency (e.g., if the machine is stuck in the slag pile) when the machine is not moving (due to failure of data communication to the transmission) by breaking of the breaker plate (see figure) and pressing on the lower part of the switch to reverse, or pressing on the upper part to operate forward.

Note:

- The switch for Forward/Reverse is covered by a breaker plate, see figure.
- It should only be used in emergencies, when the breaker plate can be broken off to access the switch.



Emergency switch (shutdown)

Available for L150H, L180H, L220H

WL97023

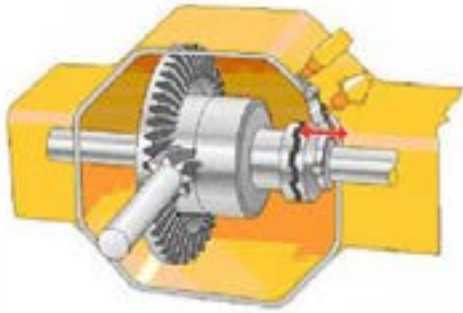
Parking brake release and engine shut down located on the right and left hand sides on the counterweight.

1. Emergency stop, releases parking brake.
2. Emergency stop, cuts off electric power except the system to the fire suppression system.

Before activation, you need to break the glass with the Hammer.

Note: Make sure the machine is securely connected to the towing vehicle before pushing the emergency stop.

Power transmission



100% Front differential, limited slip rear

Available for L60H, L70H, L90H, L110H, L120H, L150H, L180H, L220H, L260H

WL35001

To increase traction in slippery conditions the standard 100% differential lock on the front axle is combined with a rear axle limited slip differential which automatically directs the torque to the wheel with the best traction.

- Improves traction.
- Increases productivity on slippery, soft and uneven ground.

Speed limiter

Available for L60H, L70H, L90H, L110H, L120H, L150H, L180H, L180H High-Lift, L220H, L260H, L350H

The machine is equipped with an electronic speed limitation.

- For some markets this is required by law or local work site regulations.



Speed limiter, max 20 km/h

Available for L60H, L70H, L90H, L110H, L120H, L150H, L180H, L180H High-Lift, L220H, L260H, L350H

WL38001

The machine is equipped with an electronic speed limitation set to 20 km/h (12,5 mph).

This option fulfils legal requirements for permanent speed restriction. Safety.

IS NOT COMPATIBLE WITH:

Speed limiter, 40 km/h WL38003 Speed limiter, 30 km/h WL38002



Speed limiter, max 30 km/h

Available for L60H, L70H, L90H, L110H, L120H, L150H, L180H, L180H High-Lift, L220H, L260H, L350H

WL38002

The machine is equipped with an electronic speed limitation set to 30 km/h (19 mph).

This option fulfils legal requirements for permanent speed restriction. Safety.

IS NOT COMPATIBLE WITH:

Speed limiter, 40 km/h WL38003 Speed limiter, 20 km/h WL38001



Speed limiter, max 40 km/h

Available for L60H, L70H, L90H, L110H, L120H, L150H

WL38003

The machine is equipped with an electronic speed limitation set to 40 km/h (25 mph).

This option fulfils legal requirements for permanent speed restriction. Safety.

IS NOT COMPATIBLE WITH:

Speed limiter, 30 km/h WL38002 Speed limiter, 20 km/h WL38001



Wheel / axle seal guards

Available for L60H, L70H, L90H, L110H, L120H, L150H, L180H, L220H, L260H

WL86017

When operating in demanding applications with a lot of debris the axle seals need to be protected. The wheel / axle seal guard is designed to prevent material from wrapping around the axles during operation and damaging the axle seals. Wheel / axle seal guards are only compatible with Volvo rims. Please contact the Volvo service department for wheel/ axle seal guards that can be used with other manufacturers' rims.

- Protects the axle seals to minimize downtime due to repairs.



OptiShift with lock-up RBB

Available for L110H, L120H

WL39004

The OptiShift transmission features a lock-up torque convertor and the Volvo patented reverse-by-braking (RBB) function.

The Volvo patented RBB function senses the loader's direction and slows the machine when the operator changes direction by applying the service brakes automatically.

- Increased hill climbing performance.
- Reduced fuel consumption (increased fuel efficiency by up to 18%).
- Higher productivity / Faster loading cycles.
- Increased operator comfort.
- Better drive response.

Standard on L150H, L180H, L180H High-Lift, L220H, L260H



Lock-up converter

Available for L60H, L70H, L90H

WL39007

The lock-up torque converter creates a direct mechanical connection between the engine and transmission preventing internal loss in the converter.

The lock-up function for both forward and reverse gear is possible to customize in the “Auto lock-up” settings in the key pad.

F2-4 is set as default and suits most of the applications but can be changed.

F3-4 or only F4 to suit an application which prioritize converter before lockup.

Lock-up function for first gear is available when gear selector is set manually to first gear.

- Possible to customize the lock-up function.
- Increased top speed of 50km/h (31 mph).
- Up to 20% greater fuel efficiency.
- Doozing on first gear lock-up possible.

Brake system



Stainless steel, brake lines

Available for L70H, L90H, L110H, L120H, L150H, L180H, L180H High-Lift

WL34001

Brake pipes made of corrosion resistant steel.

- Provides long service life in corrosive environments.



Parking brake alarm, audible for air-suspended seats

Available for L60H, L70H, L90H, L110H, L120H, L150H, L180H, L180H High-Lift, L220H, L260H, L350H

WL45021

An alarm (a buzzer and a warning message) will warn the operator if the parking brake is not applied when he/she leaves the seat without shutting down the engine. This equipment is used together with an air-suspended seat.

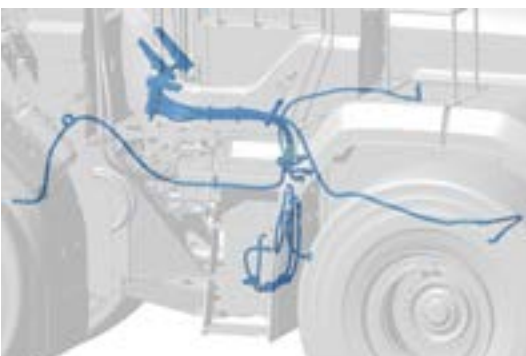
- Increased safety.

IS NOT COMPATIBLE WITH:

- For L60H, L70H, L90H

Operator's seat, ISRI, heated, high back WL41004

Operator's seat, ISRI, low back WL41005



Brake system, arctic

Available for L60H, L70H, L90H, L110H, L120H, L150H, L180H, L180H High-Lift, L220H, L260H, L350H

WL89009

Footbrake valve and hydraulic brake hoses designed for extreme cold temperatures.

IS NOT COMPATIBLE WITH:

- For L110H, L120H

Optishift with lock-up RBB WL39004

Optishift with lock-up RBB Arctic WL39006

- For L150H, L180H, L220H, L260H

Servo system Standard/Optishift and attachment lock, Arctic WL89011

- For L260H

Servo system Standard/Optishift, Arctic WL89010

REQUIRES THIS OPTION:

- For L60Gz, L90Gz, L120Gz:

- Hydraulic 2 functions, Arctic WL89013

- or Arctic kit for 3rd function WL89007

- Differential lock arctic, without attachment bracket WL89014

- or Arctic kit, attachment locking hoses WL89003



Oil cooler and filter for front and rear axle

Available for L70H, L90H, L110H, L120H, L150H, L180H, L220H

WL34003

When working in extreme temperatures or applications that call for heavy usage of the brakes an external heat exchanger can be used to minimize the risk of overheating. The two oil coolers (one for each axle) are located after the hydraulic filter.

The oil cooler can also be used to increase the working temperature of the axle in very cold working conditions, reducing the friction and also fuel consumption.

- Minimizes the risk of overheating the axle oil and the brakes.
- Continued cooling for as long as the engine is running.
- Increases the working temperature of the axle in very cold working conditions, reducing the friction and also fuel consumption. The oil change in the axles is prolonged from 2000 hours to 4000 hours.

IS NOT COMPATIBLE WITH:

Reversible cooling fan WL37001

Reversible cooling fan and axle oil cooler WL37002

Standard on L180H High-Lift, L260H



Oil cooler for front + rear axle

Available for L350H

WL34002

When working in extreme temperatures or applications that call for heavy usage of the brakes a external heat exchanger can be used to minimizes the risk of overheating. The two oil coolers (one for each axle) are located after the hydraulic filter.

The oil cooler can also be used to increase the working temperature of the axle in very cold working conditions and in this way reduces the friction and thus reduces the fuel consumption.

- Minimizes the risk of overheating the axle oil and the brakes.
- Continued cooling for as long as the engine is running.



Steering



Comfort Drive Control, CDC

Available for L60H, L70H, L90H, L110H, L120H, L150H, L180H, L180H High-Lift, L220H, L260H

The CDC gives the operator the possibility to operate the machine by lever steering. This is ideal when working on sites with a high repetition level. By switch between lever steering and the steering wheel harmful static muscle loads can be avoided.

The CDC features an electrical controlled end-stroke damping that provides smooth, full range steering and eliminates frame shocks that may occur during quick turns. The deflection of the lever is proportional to the speed of the steering movement. This means that it is possible to make a very small steering movement when you wish to do so.

For safety reasons, it is always possible to steer the machine with the steering wheel and change gears with the ordinary gear selector control at the steering wheel, even if the lever steering is activated. The maximum machine speed for steering with CDC is set to 30 km/h for L60-L150.

Note: Safety regulations

When operating on a public road, it is prohibited to use the lever steering – always use the steering wheel. Also when operating at high speeds (above 20 km/h = 12.4 mph) on a work site, always use the steering wheel in order to improve safety.

Each country (state) has its own safety regulations. It is the obligation of the operator to know and follow these. This also applies to local regulations covering different types of work.

Should the recommendations deviate from those of your country, your local safety regulations shall be followed. Regarding safety and how to operate the Comfort Drive Control, see and respect the Operator's Manual for the present type of machine.

- Reduce monotonous strenuous turning of the steering wheel.
- Reduces stress on the operator's shoulders, back and arms.
- Increased productivity thanks to the above.
- The best position of the operator's seat can be chosen.
- Improved operator's comfort.

Comfort Drive Control, CDC, in combination with electro-hydraulic

Available for L60H, L70H, L90H, L110H, L120H, L150H, L180H, L180H High-Lift, L220H, L260H

WL45024

L60H, L70H, L90H: hydraulically controlled.

L110H and up: electrically controlled.

IS NOT COMPATIBLE WITH:

- For L60H, L70H, L90H

Operator's seat, ISRI, heated, high back WL41004

Operator's seat, ISRI, low back WL41005

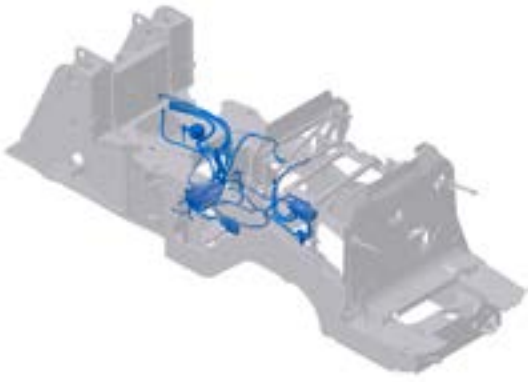
Note: standard on L350H

Comfort Drive Control, Electro-servo

Available for L60H, L70H, L90H

WL45047

This option is required when the machine is equipped with Electro lever. If the machine is equipped with Hydraulic lever, use WL45024.



Steering, secondary

Available for L60H, L70H, L90H, L110H, L120H,
L150H, L180H, L180H High-Lift, L220H, L260H,
L350H

WL45019

When working in a none marked off area or on a dangerous work site it is vital to be able to maintain control of the machine at all times. The secondary steering option equips the machine with an electrically powered steering pump that is activated if the normal steering for any reason is out of order and the speed is over 3 km/h.

- Increased safety in case of malfunction in the steering system.
- Required by law in EU and EFTA countries.

IS NOT COMPATIBLE WITH:

Auxiliary steering without secondary steering N.A.

Frame



WLA85184

Log pusher

Available for L180H, L180H High-Lift, L220H

The log pusher helps to increase the stack height by up to 30% (1-1,5 m). The possibility to store more timber at the log pile and closer to the log intake increases productivity and operational efficiency. Logs tend to roll down and out on the driveway, preventing the wheel loader from coming close to the pile and consequently the stack height is reduced. The log pusher will push the logs further into the pile, allowing the operator to make use of the machine reach and lift capability to make the pile higher. The log pusher is operated by two push buttons in front of the hydraulic control levers. For comfort and safety the pusher is set for an automatic return-to-lift position after four seconds with reverse gear engaged.

- A log pusher adds a real value in this application by making the machine a perfect performer.
- Increased productivity and operating efficiency.
- Higher productivity and lower fuel consumption, based on the increased number of handled logs per hour, will justify the added cost of this option.

Log pusher

Available for L180H High-Lift

WLA85183

Log pusher

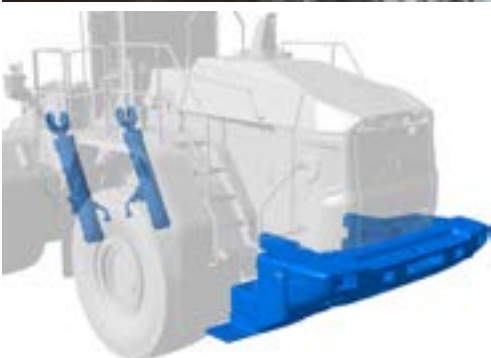
Available for L180H

WLA85184

Log pusher

Available for L220H

WLA85185



Logger version

Available for L350H

WL88006

The Volvo L350H Log Handler version is specially designed and equipped to cope with long shifts and tough environments of the forestry industry. The Log Handler package modifies the Volvo L350H to boost its capacity for lifting and carrying heavy loads of timber.

The L350H Log Handler comes fitted with:

- Larger lift cylinders for increased lifting capacity.
- Extra counterweight of 7 769 kg which contributes to an increased tipping load, and better stability.

The reach, load capacity and manoeuvrability of the machine allows short cycle times in applications such as unloading logs and pulp wood, stacking/unloading/sorting bins and loading to feed tables.

The L350H Log Handler is easy to manoeuvre, smooth and highly productive.

- Withstand tough application such as moving large and heavy logs.
- Increased log handling ability.

REQUIRES THIS OPTION:

Heavy duty rims and 65 series tires.



Belly guard, front

Available for L60H, L70H, L90H, L110H, L120H, L150H, L180H, L180H High-Lift, L220H, L260H, L350H

WL86009

This option completely encloses the components located within the front frame between the center hinge and the front axle, including the driveshaft, universal joints and hydraulic lines. This increased protection is very useful when working in difficult terrain or rough applications.

- Protects the components installed in the front frame from damage from below.
- Less downtime due to reduced need for repairs.
- Saves the cost of replacing expensive parts.



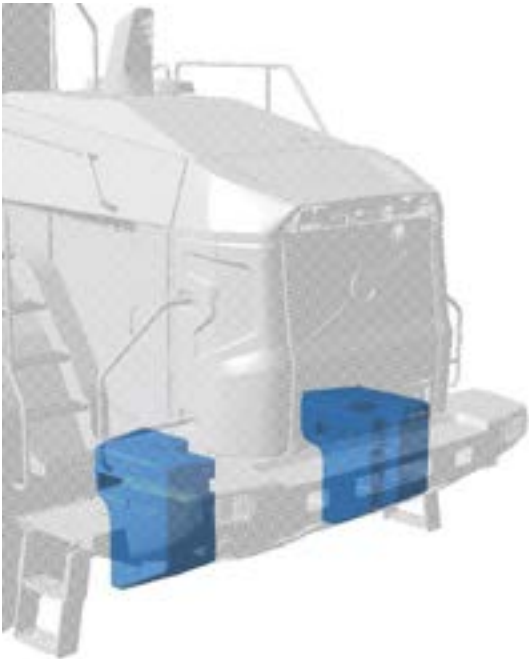
Belly guard, rear

Available for L60H, L70H, L90H, L110H, L120H, L150H, L180H, L180H High-Lift, L220H, L260H, L350H

WL86010

This option completely encloses components located within the rear frame between the center hinge and the rear axle, including the engine and transmission. This increased protection is very useful when working in difficult terrain or rough applications.

- Protects the transmission from damage from below.
- Less downtime due to reduced need for repairs.
- Saves the cost of replacing expensive parts.



Block handler kit

Available for L350H

WL88004

With this option, the machine is equipped with a block handler kit that ensures heavy lifting and high tipping load. The capacity to move large and heavy blocks quickly and efficiently increases.

- Withstand tough application such as moving large and heavy blocks. Current order numbers are available in: Ordering information, Equipment.

Hydraulic pressure

Same working pressure and relief pressure as standard machine.

Other parts

Hydraulic pressure pipes to the (-) side for both lifting cylinders are changed due to the larger lifting cylinders.

Remarks

- Must be combined with "Heavy Duty Rims".
- Tires which are allowed to be used for block handling, are:
Good Year 875/65 R33** RL-5K L5
Good Year 875/65 R33** RL-4K L4

The following graphs shows the tipping load, straight machine versus hinge pin height. The maximum rated load should be calculated according to ISO 14397-1, which is based on the following criteria:

- Machine speed less than 2 km/h (1.2 mph)
- Machine in straight-ahead position
- Load rolled back
- Load lifted to the maximum moment arm (max. reach)
- Center of gravity of load at X: 900 mm (2' 11") and Y: 800 mm (2' 7")
- Maximum tipping load utilization at 80%

Lift cylinders:

Numbers:	2
Cylinder bore	230 mm (9 1/16 inch)
Piston rod diameter	120 mm (4 23/32 inch)
Stroke	1 222 mm (48 7/64 inch)

Tilt cylinder:

Same as standard version.	
Numbers:	1
Cylinder bore	260 mm (10 15/64 inch)
Piston rod diameter	120 mm (4 23/32 inch)
Stroke	728 mm (28 21/32 inch)

Counterweight (1):

Left side	1 213 kg (2,675 lb)
Right side	1 213 kg (2,675 lb)
Total weight:	2 426 kg (5,350 lb)



Block handler, heavy-duty

Available for L350H

WL88005

With this option, the machine is equipped with a block handler, heavy duty kit that ensures heavy lifting and higher tipping load. The capacity to move large and heavy blocks quickly and efficiently increases.

- Withstand tough application such as moving large and heavy blocks.
- Current order numbers are available in: Ordering information, Equipment.

Hydraulic pressure

Working pressure is 28 MPa (26 MPa for standard machine) and relief pressures for both minus and plus side of tilt cylinder are 30 MPa (27 MPa for standard machine).

Other parts

Replaced control valve, hydraulic pressure pipes to the (-) side for both lifting cylinders are changed due to the larger lifting cylinders.

Remarks

- Must be combined with "Heavy Duty Rims".
- Tires which are allowed to be used for block handling, are:

Good Year 875/65 R33** RL-5K L5

Good Year 875/65 R33** RL-4K L4

The following graphs shows the tipping load, straight machine versus hinge pin height. The maximum rated load should be calculated according to ISO 14397-1, which is based on the following criteria:

- Machine speed less than 2 km/h (1.2 mph)
- Machine in straight-ahead position
- Load rolled back
- Load lifted to the maximum moment arm (max. reach)
- Center of gravity of load at X: 900 mm (2' 11") and Y: 800 mm (2' 7")
- Maximum tipping load utilization at 80%

L350H HD Block Handler: The machines loading capacity exceeds the maximum permissible load for the actual tire dimension, Available tire from factory is 875/65 R33** which is approved for 38 t (83,779 lb) working load.

Lift cylinders:

Numbers:	2
Cylinder bore	230 mm (9 1/6 inch)
Piston rod diameter	120 mm (4 23/32 inch)
Stroke	1 222 mm (48 7/64 inch)

Tilt cylinder:

Same as standard version.	
Numbers:	1
Cylinder bore	260 mm (10 15/64 inch)
Piston rod diameter	120 mm (4 23/32 inch)
Stroke	728 mm (28 21/32 inch)

Counterweight (1):

Left side	1 213 kg (2,675 lb)
Right side	1 213 kg (2,675 lb)
Total weight:	2 426 kg (5,350 lb)

Counterweight (2):

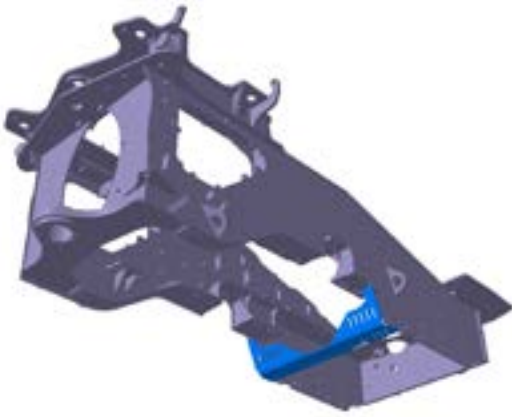
921 kg (2,030 lb)

Counterweight (3):

1 168 kg (2,575 lb)

Total weight:

7 769 kg (17,125 lb)



Belly guard rear, oil pan

Available for L150H, L180H, L180H High-Lift, L220H, L260H

WL86027

This option is designed to cover the area located between the rear axle and fuel tank, including the engine oil pan and drain hoses. The oil pan belly guard is especially effective in applications where the components located within this area could easily be damaged.

- Protects the engine from damage from below.
- Less downtime due to reduced need for repairs.
- Saves the cost of replacing expensive parts.



Center hinge and rear frame guard

Available for L60H, L70H, L90H, L110H, L120H, L150H, L180H, L180H High-Lift, L220H, L260H

WL86015

Protects components within front of the rear frame. This area has a lot of vital components which can be damaged in demanding applications.

- Less downtime due to reduced need for repairs.
- Saves the cost of replacing expensive parts.
- Prevents debris from collecting inside the center hinge and rear frame.
- Protects the transmission, transmission sight gauge, and hydraulic and electrical lines and connections from possible damage.

IS NOT COMPATIBLE WITH:
Cover plates, rear frame WL86013



Counterweight, block handling

Available for L150H, L180H, L220H

WL82003

This is an additional counterweight to increase the machine's stability when handling heavy loads under certain conditions. Some restriction may apply. Be sure to check with your dealer regarding the use of extra counterweights.

- Increased machine stability when handling heavy loads.

IS NOT COMPATIBLE WITH:
Counterweight, re-handling WL82004 Counterweight, logging WL81001

L150H	L180H	L220H
1 140 kg	1 140 kg	1 515 kg
2,513 lb	2,513 lb	3,340 lb



Counterweight, logging

Available for L60H, L70H, L90H, L110H, L120H, L150H, L180H, L220H, L260H, L350H

WL81001

This is an additional counterweight to increase machine stability when handling logs. Some restrictions may apply. Be sure to check with your dealer regarding the use of extra counterweights.

- Increased machine's stability when handling logs.

IS NOT COMPATIBLE WITH:

- For L60H, L70H, L90H

Flexible rear step WL71008

REQUIRES THIS OPTION:

Hydraulic 3 functions WL61001, or

Hydraulic 3 functions, long boom WL61003

L60H	L70H	L90H	L110H	L120H	L150H	L180H	L220H	L260H
110 kg	250 kg	500 kg	685 kg	685 kg	1 140 kg	1 140 kg	800 kg	800 kg
243 lb	551 lb	1,102 lb	1,510 lb	1,510 lb	2,513 lb	2,513 lb	1,764 lb	1,764 lb



Counterweight, rehandling

Available for L110H, L120H, L150H, L180H, L220H, L260H, L350H

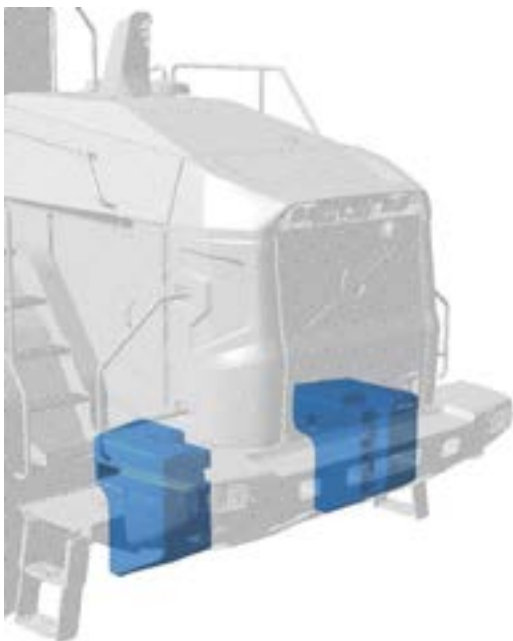
WL82004

This is an additional counterweight to increase machine stability in rehandling applications. Some restriction may apply. Be sure to check with your dealer regarding the use of extra counterweights.

- Increased machine stability when handling logs.

IS NOT COMPATIBLE WITH:

Counterweight, logging WL81001



L110H	L120H	L150H	L180H	L220H	L260H	L350H
685 kg	685 kg	1 140 kg	1 140 kg	800 kg	800 kg	2 245 kg
1,510 lb	1,510 lb	2,513 lb	2,513 lb	1,764 lb	1,764 lb	5,446 lb



Counterweight, signal painted, chevrons

Available for L60H, L70H, L90H, L110H, L120H, L150H, L180H, L180H High-Lift, L220H, L260H, L350H

WL82002

This option increases the machine's visibility by having the counterweight painted in a highly contrasting red and white colored chevron pattern. This type of signal painting is often a standard requirement by major companies within the extraction industry.

- Increased the machine's visibility.



Cover plate, heavy-duty, front frame

Available for L60H, L70H, L90H, L110H, L120H, L150H, L180H, L220H, L260H

WL86011

This option prevents debris from collecting inside the front frame while also protecting the main hydraulic valve and its connections from possible damage. The heavy-duty front frame cover plate is especially effective in applications where the standard cover could otherwise be easily damaged.

- Protection for components located within the front frame.
 - Less downtime due to repairs.
 - Saves the cost of replacing expensive parts.
- Standard on L180H High-Lift.



Cover plates, rear frame

Available for L60H, L70H, L90H, L110H, L120H, L150H, L180H, L180H High-Lift, L220H, L260H

WL86013

This option prevents debris from collecting inside the rear frame while also protecting the components inside this space.

- Protection for the components located inside the rear frame.
- Reduces the external sound level.
- Improves the appearance of the machine.

IS NOT COMPATIBLE WITH:

For L110H, L120H, L150H, L180H, L220H
Center hinge and rear frame guard WL86015



Cover plate, between front frame and front axle

Available for L150H, L180H, L220H

WL97013

To prevent slag entering the front frame.

- Protection between front frame and front axle.
- Protection for hydraulic pipe passage in from frame.



Footsteps front frame

Available for L60H, L70H, L90H, L110H, L120H

WL71005

This option is a anti-slip footstep which is assembled on each side of the front frame.

- Together with the handrails on the cab, the footsteps provide safe and easy access to the front windshield.
- Increases ease of access and serviceability for components such as lighting, lifting sensors adjustment.

Also available as aftermarket option.

Note: Standard for L150H, L180H, L180HHL, L220H, L260H, L350H



Towing hitch

Available for L60H, L70H, L90H, L110H, L120H, L150H, L180H, L180H High-Lift, L220H, L260H

WL82005

New towing hitch with STD bolt pattern that fits different towing configurations. Distanced from the counterweight surface it allows free movement.

- The new interface allows full use of the machines rim-pull
Max horizontal load: 8 500 kg (18,740lb). Limited by the hitch.
Max vertical load: 1500 kg (3,310lb).



Protection under front frame

Available for L150H, L180H, L220H

WL97019

Protection located under front frame and includes:

- protection for brake lines,
- propeller shaft guard under front frame,
- extension of Belly Guard towards front axle.



Cover plates, front/rear axle

Available for L110H, L120H

WL86036

Cover plates for the protection of the brake and axle cooling pipes on the front and rear axles.

Loading equipment



Boom Suspension System, BSS

Available for L60H, L70H, L90H, L110H, L120H, L150H, L180H, L220H, L260H, L350H

WL80001

The Boom Suspension System (BSS) helps to absorb shocks when operating on rough ground.

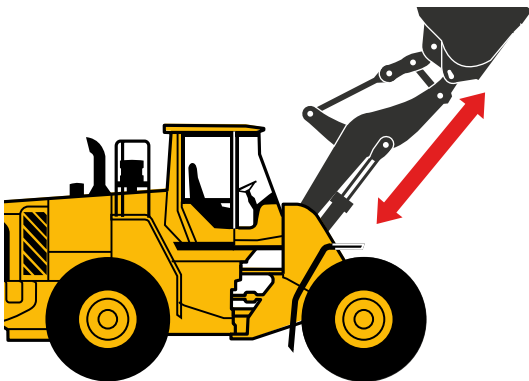
- Less spillage = increased production.
- Increased operator comfort.
- Faster working cycles, which increases productivity.
- Increases component life as the result of shock absorption.
- The BSS increases productivity by up to 20%.

Also available as aftermarket option.

IS NOT COMPATIBLE WITH:

For L60H, L70H, L90H, L110H, L120H Single acting lifting function WL63001

Note: standard on L180H-HL.



Long boom

Available for L60H, L70H, L90H, L110H, L120H, L150H, L180H, L220H, L260H, L350H

WL11002

A long boom gives extra dump height and reach necessary for high stockpiling, loading of high trucks or feeders. The additional reach also gives added protection when filling the bucket by keeping the front tires further away from the material.

- Increased maximum dump clearance.
- Easier loading trucks with high side walls or feeders.
- Easier operating in high stockpiling.
- Protects the front tires when loading sharp blast rocks.





Separate attachment locking, long boom

Available for L60H, L70H, L90H, L110H, L120H, L150H, L180H, L220H

WL64002

This equipment makes it possible for the operator to connect and disconnect attachments from the operator seat via a switch on the instrument panel. Locking pins are held securely in place by pressure from the hydraulic system. The separate kit for attachment locking is required to be used together with the attachment bracket option for machines equipped with a long boom.

- Easy to change attachment without leaving the cab, for example from a bucket to pallet forks.

- The best way to make the machine flexible for different attachments.

REQUIRES THIS OPTION:

Loading unit, Long boom WL11001



Separate attachment locking, standard boom

Available for L60H, L70H, L90H, L110H, L120H, L150H, L180H, L220H, L350H

WL64001

This equipment makes it possible for the operator to connect and disconnect attachments from the operator seat via a switch on the instrument panel. Locking pins are held securely in place by pressure from the hydraulic system. The separate kit for attachment locking is required to be used together with the attachment bracket option for machines equipped with a standard boom.

- Easy to change attachment without leaving the cab, for example from a bucket to pallet forks.

- The best way to make the machine flexible for different attachments.

Also available as aftermarket option.



Special hydraulic fixture for shipment protection

Available for L180H High-Lift

WL86800

Special protection equipment for the hydraulic system, required when transporting the L180H High-Lift with the lifting arm dismantled.



Attachment lock, heat resistant

Available for L150H, L180H, L220H

WL97007

Fire protected hydraulic hoses for the attachment locking. Designed for use in slag application.



Single acting lifting function

Available for L60H, L70H, L90H, L110H, L120H

WL63001

Single acting lifting function allows the attachment be pushed up over obstacles and then automatically by its own weight, be lowered to the same position as before.

Note: The single acting lifting function is included in the Boom Suspension System (BSS).

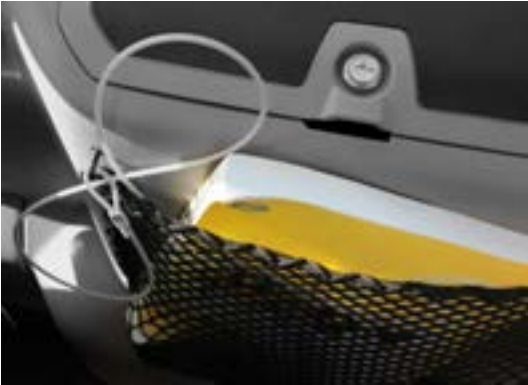
- Easier job in for example snow clearing and sweeping.

IS NOT COMPATIBLE WITH:

Boom Suspension System, BSS WL80001



Cab/Operator environment



Anchored, operator's manual

Available for L60H, L70H, L90H, L110H, L120H, L150H, L180H, L180H High-Lift, L220H, L260H, L350H

WL45027

Operator's Manual is attached to the cab with a wire.

- Helps to ensure that the operator's manual is always available to the operator.



Cab roof, heavy duty

Available for L60H, L70H, L90H, L110H, L120H, L150H, L180H, L220H, L260H, L350H

WL86028

This option has been developed to increase safety for the operator against falling debris in applications such as underground construction and mining. The plastic cab roof is replaced by a 5 mm thick, high tensile steel plate.

- Increased operator safety from falling debris etc.
- Suitable for underground construction and mining.

IS NOT COMPATIBLE WITH:

Working lights, side on cab, 4 LED lamps WL50015

Cab roof, steel, for slag handler WL97002

Fire extinguisher cab, for slag handler WL97004





Automatic Climate Control (ACC)

Available for L60H, L70H, L90H, L110H, L120H

WL42001

Automatic Climate Control (ACC) together with the standard climate control unit gives a pleasant operating environment, regardless of weather and ambient temperature. All controls for the ACC are located on the climate control panel which is mounted close to the ceiling at the right side of the cab. Temperature setting is in Celsius.

The air-conditioning unit of the machine is filled with refrigerant R134a at the factory. R134a must never be mixed with any other kind of refrigerant, e.g. R12, as this will cause the unit to fail (Fahrenheit scale is an option).

- Reduces cab temperature in hot conditions.
- Increases operator effectiveness.
- Increases the machine's resale value.

IS NOT COMPATIBLE WITH:

Automatic Climate Control, ACC with corrosion protection condenser WL42002



Automatic Climate Control (ACC) with corrosion protection condenser

Available for L60H, L70H, L90H, L110H, L120H, L150H, L180H, L180H High-Lift, L220H, L260H

WL42002

Automatic Climate Control (ACC) with corrosion protected condenser gives a pleasant operating environment, regardless of weather and ambient temperature. Special paint protects the condenser against corrosion under alkaline conditions. All controls for the climate control system are located on the climate control panel which is mounted close to the ceiling at the right side of the cab. The temperature setting is in Celsius. The air-conditioning unit of the machine is filled with refrigerant R134a at the factory. R134a must never be mixed with any other kind of refrigerant, e.g. R12, as this will cause the unit to fail (Fahrenheit scale is an option).

- Protected for use in corrosive environment.
- Reduces cab temperature in hot conditions.
- Increases operator effectiveness.
- Increases the machine's resale value.

IS NOT COMPATIBLE WITH:

Automatic Climate Control, ACC WL42001

Note: standard on L350H



ACC control panel, with Fahrenheit scale

Available for L60H, L70H, L90H, L110H, L120H, L150H, L180H, L180H High-Lift, L220H, L260H, L350H

WL45004

The standard temperature setting on the ACC panel is replaced by a Fahrenheit scale.

- Increased familiarity for markets using the Fahrenheit scale.



Asbestos dust protection filter

Available for L60H, L70H, L90H, L110H, L120H, L150H, L180H, L180H High-Lift, L220H, L260H, L350H

WL45022

This option replaces the standard main filter for the cab air intake. It features a red filter frame and is mounted on the right hand side of the cab below the window, just under the pre-cleaning cartridge. HEPA (High Efficiency Particulate Air) fiber filter is recommended for the waste segment and extremely dusty working conditions or environments with fine harmful dust particles (e.g. asbestos).

Typical work applications:

- sanitary landfills,
- refuse depot compactions,
- asbestos quarries.

Filtration efficiency:

- class H13 according to EN 1822 and Class S according to DIN 24184.
- fulfill the Swedish Board of Occupational Safety and Health regulation "AFS ASBEST 2006-1".

- Safety.
- Comfort.
- Productivity.

IS NOT COMPATIBLE WITH: Carbon filter - cab WL45010



Carbon filter - cab

Available for L60H, L70H, L90H, L110H, L120H, L150H, L180H, L180H High-Lift, L220H, L260H, L350H

WL45010

The standard filter can be replaced with a carbon filter which increases operator comfort in environments with gasiform materials and odors. A filter with added carbon media offers improved particle cleaning and is, therefore, recommended.

Note: The filter is not recommended in applications with hazardous gases.

- Fulfills EN779:2002 class F8, offering more effective particle cleaning and increased operator comfort in environments containing gasiform materials and odors.

IS NOT COMPATIBLE WITH:

Asbestos dust protection filter WL45022



Cab air pre-cleaner, cyclone type

Available for L60H, L70H, L90H, L110H, L120H, L150H, L180H, L180H High-Lift, L220H, L260H

WL45012

This option adds an extra air pre-cleaner with cyclone cleaning for cab intake and is mounted at the back of the cab above the rear window. This pre-cleaner is specially designed for very dusty applications. The system is designed to catch large particles prior to entry into the air filter. This effectively decrease the contamination of the standard air filter.

- Expels all types of mixed debris, - including mud, snow, rain, leaves, sawdust and dust - lowers cost per operating hour, extends the air filter life and reduces downtime.

Also available as aftermarket option.

IS NOT COMPATIBLE WITH:

Air pre-cleaner, oil-bath type WL31003

Rear view mirrors, for additional close range visibility WL45204



Timer cab heating

Available for L60H, L70H, L90H, L110H, L120H, L150H, L180H, L180H High-Lift, L220H, L260H, L350H

WL45011

When leaving the machine e.g. for a lunch break, the operator can stop the engine and the system will maintain a comfortable temperature in a cab. There are two working modes, automatically chosen by the system, depending on the ambient temperature:

- Heating mode - when the temperature is lower than +17° C (63° F);
- Ventilation mode - when the temperature is higher than +17° C (63° F).

The button for activation/deactivation of the timer is located on the climate control panel.

- Comfort.
- Environment.
- Operating cost.



Steering wheel knob

Available for L60H, L70H, L90H, L110H, L120H, L150H, L180H, L180H High-Lift, L220H, L260H, L350H

WL45001

A mounted steering wheel knob, or "spinner knob", is available as optional equipment on all Volvo wheel loaders.

- Provides better grip and more leverage.

Also available as aftermarket option.



Volvo Airsusp. 3pt seat belt

Available for L60H, L70H, L90H, L110H, L120H, L150H, L180H, L180H High-Lift, L220H, L260H, L350H

WL41012

- Air suspension
- Volvo Branded
- Fulfils ISO 7096 EM3
- Heating
- 3 step Seat tilt
- Weight adjustment indicator
- Prepared with sensor for seat belt warning
- Adjustable standard headrest
- Three point seat belt with amber Webbing
- Seat belt buckle on left hand side for quick exit

Data

Operator weight range:	50 – 150 kg	(110-330 lb)
Height adjustment:	±30mm	(1 3/16 inch)
Back/ Forward Adjustment	±80mm	(3 5/32 inch)
Seat back inclination	+68°/ -72°	
Complete Seat inclination	±5°	
Seat heating range	+26°C to +36°C	(79-97°F)
Lumbar Support	Manual Air type	
Seat weight	44Kg	(90 lb)



Volvo Airsusp. 2pt seat belt

Available for L60H, L70H, L90H, L110H, L120H, L150H, L180H, L220H, L260H, L350H

WL41010

- Air suspension
- Volvo Branded
- Fulfils ISO 7096 EM3
- Heating
- 3 step seat tilt
- Weight adjustment indicator
- Prepared for armrest on left side
- Prepared for headrest
- Prepared with sensor for seat belt warning
- Improved installation of two point seat belt. (Fixation of buckle and higher position of retractor)

Data

Operator weight range:	50 – 150 kg	(110-330 lb)
Height adjustment:	±30mm	(1 3/16 inch)
Back/ Forward Adjustment	±80mm	(3 5/32 inch)
Seat back inclination	+68°/ -72°	
Complete Seat inclination	±5°	
Seat heating range	+26°C to +36°C	(79-97°F)
Lumbar Support	Manual Air type	
Seat weight	41Kg	(90 lb)



Volvo Airsusp, heavy duty

Available for L60H, L70H, L90H, L110H, L120H, L150H, L180H, L220H, L260H, L350H

WL41007

The heavy-duty Volvo seat is developed for operator weights of 50-160 kg (110-350 lb). The seat and seat frame are very sturdily built. The seat has a 537 mm (21") wide seat cushion, backrest with double locking device, high back, and air Lumbar support. This is the right choice for heavier operators. Hard-wearing fabric upholstery with good flame resistance. Air suspended. High back rest. Electrically heated with switch. Lumbar support. Retracting belt. Built-in compressor and switch plate with connection to buzzer is included.

- Raises productivity by reducing operator fatigue.
- Rigorously tested in Volvo test rigs and vibration tests.
- Completely adjustable to the operator's individual needs.

Note: standard on L180H HL



Operator's seat, ISRI, heated, high back

Available for L60H, L70H, L90H

WL41004

This option includes an operator's seat with high back and mechanical suspension. It conforms to ISO 7096 EM3 vibration requirements.

- Hard-wearing fabric upholstery with good flame resistance.
- Adjustable backrest angle.
- Individual weight adjustment.
- Height adjustment at front and rear.
- Adjustable lumbar support.
- Pre-drilled backrest side for fitting Comfort Drive Control (CDC).

The seat is supplied with 24 V electric heating, bracket for alarm switch and lap belt with reel, width 2" (50 mm).

- Raises productivity by reducing operator's fatigue.
- Rigorously tested in Volvo test rigs and vibration tests.
- Completely adjustable to the operator's individual needs.



Operator's seat, ISRI, low back

Available for L60H, L70H, L90H

WL41005

This option includes an operator's seat with low back and mechanical suspension. It conforms to ISO 7096 EM3 vibration requirements.

- Hard-wearing fabric upholstery with good flame resistance.
- Adjustable backrest angle.
- Individual weight adjustment.
- Height adjustment at front and rear.
- Adjustable lumbar support.
- Pre-drilled backrest side for fitting Comfort Drive Control (CDC).

The seat is supplied with 24 V electric heating, lap belt with reel, width 2" (50 mm) and with built-in seat sensor prepared for parking brake alarm.

- Raises productivity by reducing operator fatigue.
- Rigorously tested in Volvo test rigs and vibration tests.
- Completely adjustable to the operator's individual needs.



Operator's seat, Premium Comfort ISRI

Available for L60H, L70H, L90H, L110H, L120H, L150H, L180H, L180H High-Lift, L220H, L260H, L350H

WL41017

The air suspension with build-in compressor, high backrest, dual stage air lumbar support and active climate are just some of the standard features. Together with the anatomically shaped cushion seat and backrest foam; these features take the fatigue out of driving.

Technical data:

- Trimmed in breathable hard-wearing charcoal cloth.
- Air suspension with automatic weight adjustment with a range from 50-150kg (110-330lbs).
- 24 volt built-in compressor.
- Height adjustment 70mm with 80mm suspension.
- Horizontal adjustment of 200mm.
- Cushion tilt adjustment (-2° / +12°).
- Cushion seat extension adjustment.
- High backrest with adjustment.
- Horizontal isolator, with On/Off switch.
- Dual stage air lumbar support with adjustment.
- Adjustable vertical shock absorber.
- Side support backrest with adjustment.
- Can be ordered with Comfort Drive Control (CDC)
- Left hand armrest is available as option (armrest cannot be combined with CDC).
- Headrest vertical and tilt adjustment (+/- 13°).
- Active Climate in the seat and backrest with three-setting ventilation.
- Heated cushions 24 volt with three-setting heating.
- OPS (Operator present switch).



Armrest, Volvo seat HD, left

Available for L60H, L70H, L90H, L110H, L120H, L150H, L180H, L180H High-Lift, L220H, L260H

WL45018

This option is a tiltable armrest for the left hand side of the operator's seat.

- Comfort.
- Productivity.



Armrest, Volvo seat, Left

Available for L60H, L70H, L90H, L110H, L120H, L150H, L180H, L180H High-Lift, L220H, L260H

WL45040

This option is a tiltable armrest for the left hand side of the operator's seat.

- Improves comfort.

REQUIRES THIS OPTION FOR L60H, L70H, L90H, L110H, L120H, L150H, L180H, L180H High-Lift, L220H, L260H:
Operator's seat, ISRI, heated, high back WL41004



Armrest, operator's seat, ISRI, left only

Available for L60H, L70H, L90H

WL45013

This option is a tiltable armrest for the left hand side of the operator's seat, ISRI.

- Comfort.
- Productivity.

REQUIRES THIS OPTION: Operator's seat, ISRI, heated, high back
WL41004



Armrest, for Premium Comfort ISRI, Left

Available for L60H, L70H, L90H, L110H, L120H,
L150H, L180H, L180H High-Lift, L220H, L260H

WL45046

Tiltable armrest for the left hand side of the operator's seat.

- Comfort.
- Productivity.

REQUIRES THIS OPTION:

Operator's seat, Premium Comfort ISRI WL41017



Seat belt, 3", (width 75 mm)

Available for L60H, L70H, L90H

WL45014

70" extra long non-retractable seatbelt, 3" wide.

- Comfort.
- Safety

IS NOT COMPATIBLE WITH:

Operator's seat, Volvo air susp, heavy-duty, high back, heat, not for CDC
WL41007

Volvo Airsusp, 2p.belt, not prepared for CDC WL41010

Volvo Airsusp, 3 pt seat belt not prepared for CDC WL41012

Operator's seat, Premium Comfort ISRI WL41017



Seat belt indicator, external

Available for L60H, L70H, L90H, L110H, L120H, L150H, L180H, L220H, L260H, L350H

WL50026

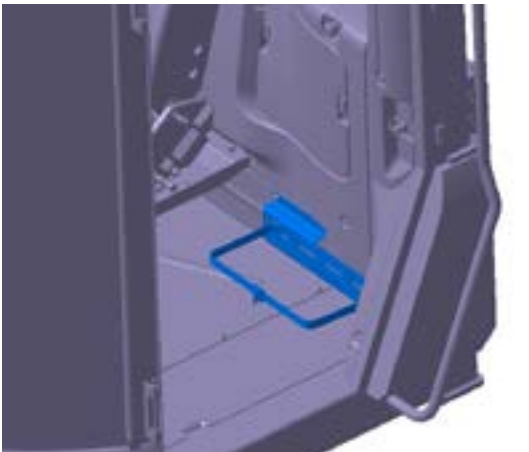
An external LED indicator fitted on the cab roof shows a green light when the seatbelt is fastened. The light can be folded down for transportation etc.

- Safety requirement on some worksites.

IS NOT COMPATIBLE WITH:

WL88002, Kit Germany

Also available as aftermarket option.



Lunch box holder

Available for L60H, L70H, L90H, L110H, L120H, L150H, L180H, L180H High-Lift, L220H, L260H, L350H

WL45023

An optional lunch box holder is mounted on the left side of the cab.

- Makes it easier for the operator to store food and beverages in the cab.
- Eliminates lunch box movement for safer work.

Also available as aftermarket option.





Radio (with AUX, Bluetooth and USB connection)

Available for L60H, L70H, L90H, L110H, L120H, L150H, L180H High-Lift, L220H, L260H, L350H

WL43004

Stereo with standard configuration.

- RDS-tuner FM/MW/LW with priority to Traffic Announcements (TA, EON-TA). The tuner recognizes traffic programs to bring you the latest traffic information.
- Travel store function: The system automatically searches and registers the 5 strongest receptions in the region. This allows quicker setup when moving the machine to a new worksite.
- Bluetooth: Up to 5 different Bluetooth devices can be paired; connection can be switched quickly and easily to any of these devices.
- Phone calls via Bluetooth and cell-phone: Once paired to your cell phone, the integrated microphone and direct access button to answer and reject calls allows this radio to be used as a hand free device to place calls. For even more convenience the radio can store up to 5 phone numbers for faster dialing.
- Streaming music via Bluetooth: Once paired to e.g. an MP3 player, the radio allows you to navigate and select a track and play your music via the machine's loudspeakers.
- USB and SD-card slots: The radio is able to play MP3 and WMA files from memory sticks / cards.
- USB slot: The radio is able to play audio from an iPod & iPhone.
- AUX ports: Allows connection of an MP3 player or other types of portable player to the system.

4x45 Watts (max. power)

Also available as aftermarket option.

REQUIRES THIS OPTION: Radio installation kit incl. 12 volt outlet, right-side WL44001



Subwoofer

Available for L60H, L70H, L90H, L110H, L120H, L150H, L180H High-Lift, L220H, L260H

WL44100

- RMS Power: 150 watts
- Max Power: 300 watts
- Frequency response: 20 – 150 Hz
- Signal/Noise ratio: >92 dB
- Input sensitivity: 0.1 – 9V
- Low-pass filter crossover frequency: 50–150 Hz
- Phasing control: 0 - 180°
- Audio-in: 2x Cinch/RCA, 2x Highlevel
- Automatic power-on – no remote signal required!
- After 60 sec. without any signal the amplifier will automatically switch off
- Operation indicator: dual-color LED (green / red)

Description Speaker

- Diameter: 200 mm
- Cone material/-color: Aluminum Compound / blue-metallic
- RMS power handling: 150 watts
- Peak power handling: 300 watts
- Impedance: 0.6 ohms
- Frequency response: 20 – 150Hz
- Sound pressure level 2.0 V/m: >92 dB

Subwoofer Housing

- System: closed box
- Material: aluminum die-cast / fibreglass-reinforced ABS
- Housing color: dark silver
- Dimensions W x H x D: 340 x 225 x 79 mm

Subwoofer enclosure

- Adapter cable for highlevel, power supply and ground connection
- Fuse 10A

Also available as aftermarket option.



Radio installation kit left-side

Available for L60H, L70H, L90H, L110H, L120H, L150H, L180H, L180H High-Lift, L220H, L260H, L350H

WL44002

This option adds a mounting kit for radio installation. The radio is located at the left side of the cab. Include a 12 volt power supply in the A-pillar.

- Increased operator comfort.

Also available as aftermarket option.

IS NOT COMPATIBLE WITH:

Radio installation kit incl. 12 volt outlet, right-side WL44001



Radio installation kit right-side

Available for L60H, L70H, L90H, L110H, L120H, L150H, L180H, L180H High-Lift, L220H, L260H, L350H

WL44001

This option adds a mounting kit for radio installation. The radio is located at the right side of the cab. Includes a 12 volt power supply in the A-pillar.

- Increased operator comfort.

IS NOT COMPATIBLE WITH:

Radio installation kit incl. 12 volt outlet, left-side WL44002



Sun blinds, rear windows

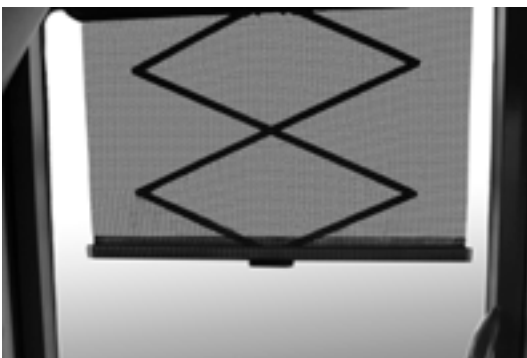
Available for L60H, L70H, L90H, L110H, L120H, L150H, L180H, L180H High-Lift, L220H, L260H, L350H

WL45007

Bright sunlight can cause discomfort in the cab, or interfere with the operator's vision. To address this problem, pull-down sun blinds have been developed for the rear window in the Care Cab. The blinds are made of heat resistant and reflective material that effectively reduces the amount of sunlight entering the cab without eliminating it completely. The blinds on the rear window can be pulled down to provide full coverage from top to bottom.

- Provides comfort in the cab in bright sunlight.
- Can be lowered to various positions.

Also available as aftermarket option.



Sun blinds, side windows

Available for L60H, L70H, L90H, L110H, L120H, L150H, L180H, L180H High-Lift, L220H, L260H, L350H

WL45008

In certain climates, bright sunlight can cause discomfort in the cab, or interfere with the operator's vision. To address this problem, pull-down sun blinds have been developed for side windows in the Care Cab. The blinds are made of a translucent material that effectively reduces the amount of sunlight entering the cab without eliminating it completely. The blinds on the side windows can be pulled down to provide full coverage from top to bottom.

- Provides better comfort and safety in the cab in bright sunlight.
- Can be lowered to various positions.

Also available as aftermarket option.



Window, sliding, door

Available for L60H, L70H, L90H, L110H, L120H, L150H, L180H, L180H High-Lift, L220H, L260H, L350H

WL45003

This option adds a sliding window to the door.

- Makes it possible to communicate with people outside the machine without opening the door.

Also available as aftermarket option.



Windows, side and rear, guards

Available for L60H, L70H, L90H, L110H, L120H, L150H, L180H, L180H High-Lift, L220H, L260H, L350H

WL86022

This option provides protection for rear windows and both left and right side windows on the machine. These are custom designed to minimize glass breakage while maximizing visibility. These window guards can easily be removed by means of some quick-disconnect latches. The window guards are recommended in extreme applications.

- Protection for the side and rear windows.
- Increase safety for the operator and cab.





Windshield, guard

Available for L60H, L70H, L90H, L110H, L120H, L150H, L180H, L220H, L260H, L350H

WL86021

This option provides protection for the front window on the machine. It is custom designed to minimize glass breakage while maximizing visibility. Because of the distance between the guard and the windshield, it is possible to clean the windshield without removing the guard. The window guards are recommended in extreme applications.

- Protection for the side and rear windows.
- Increased safety for the operator and cab.

Also available as aftermarket option.



Front view mirrors

Available for L60H, L70H, L90H, L110H, L120H, L150H, L180H, L220H, L260H, L350H

WL45028

This option is to be fitted on wheel loaders with CE marking to meet the new visibility requirements. This only applies when a machine is equipped with an attachment that limits the front visibility in accordance with this requirement. Visibility requirement standard: ISO 5006:2006 added in EN 474-1:2006 and machinery directive 2006/42/EC.

- Increases the visibility in front of the machine to fulfill visibility requirements.

Also available as aftermarket option.

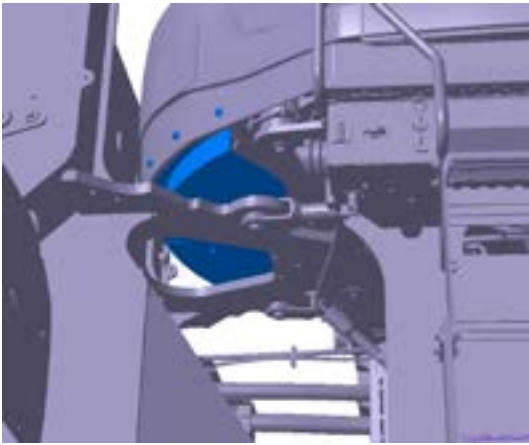
IS NOT COMPATIBLE WITH:

Windshield guard WL86021

REQUIRES THIS OPTION:

For L60H, L70H, L90H, L110H, L120H

Footsteps front frame WL71005 and it is standard for L150H, L180H, L180H High-Lift, L220H, L260H, L350H



Cover plate, under cab

Available for L60H, L70H, L90H, L110H, L120H, L150H, L180H, L180H High-Lift, L220H, L260H

WL86005

This equipment is designed to protect the components located directly underneath the cab from being damaged, including the steering valve, hydraulic connections, and electrical wiring. The under-cab guarding is recommended in extreme applications where extra protection is necessary.

- Protects the components located directly underneath the cab from being damaged.
- Less down time repairs and reduced replacement part costs.





Cab, Hot applications

Available for L60H, L70H, L90H, L110H, L120H,
L150H, L180H, L220H

WL97001

This optional equipment consists of 4 different equipment as follow:

1. Roof, steel

- Steel roof in material VSS42IS+N.
- Extra frame on top to limit water to come into the slag pile.
- The roof will not interfere with the Caretrack antenna.

2. Outside steel protection cab

- All plastic parts outside the cab covered with metal to protect the cab.

3. Rear view mirrors long arm, cab

- Secure rear view visibility, if extra fire extinguisher system and oil-bath pre-cleaner are mounted.

4. Fire extinguisher cab

- 1 pc 6 kg fire extinguishers just outside the cab.
- Close to the cab door for easy access by operator.



Reinforced windshield, flat

Available for L60H, L70H, L90H, L110H, L120H, L150H, L180H, L220H

WL97002

For maximum safety, the front windshield is made of bullet-resistant material to protect the operator from heat and hot objects.

Layered glass:

- one top replacement glass,
- one bulletproof glass for maximum safety.

Classification of glass:

- the classification of the glass is "Bulletproof BR2NS",
- "BR" is part of the European Standard EN-1063,
- "NS" stands for "No spalling". So, the driver are protected against any shattering of glass in to the drivers area.
- Easy and inexpensive to change the replacement glass
- Protects the operator from hot material



Universal door/ignition key

Available for L60H, L70H, L90H, L110H, L120H, L150H, L180H, L180H High-Lift, L220H, L260H

WL45005

When ordering machines with this option, they all get the same key combination.

This means that you can have the same key combination for the whole fleet, all machines can be started or locked with one set of keys.

Remark: this is not a "Master key", it can only be used on machines ordered with this option. Some insurance companies might not approve to the use of universal key.

- Serviceability.
- Comfort.
- Gives the possibility to use the same key for a fleet of machines.

IS NOT COMPATIBLE WITH:

Universal door/ignition key, standard



Remote door opener

Available for L60H, L70H, L90H, L110H, L120H, L150H, L180H, L180H High-Lift, L220H, L260H, L350H

WL45033,
WL45031

- 1 Locking door
- 2 Unlocking door
- 3 Unlocking and door opening (press button twice)

Remote control of locking and opening the door can be performed with the start key at a distance of up to 30 meters (90 yards) from the machine. The battery disconnecter must be ON.

IS NOT COMPATIBLE WITH:

Remote door opener WL45033
 Universal key US, remote door open WL45032
 Universal door/ignition key, USA WL45005



Ashtray

Available for L60H, L70H, L90H, L110H, L120H, L150H, L180H, L180H High-Lift, L220H, L260H, L350H

WL45037

Ashtray container that is mounted on the right front A-pillar.





Rear view mirrors, long arm right

Available for L60H, L70H, L90H, L110H, L120H, L150H, L180H, L220H

WL45202

This option includes rear view mirrors with long arm. Should be used in combination with oil bath pre cleaner.

- Increased operator comfort.
- Better visability.

Also available as aftermarket option.

For L60H, L70H, L90H, L110H, L120H, L150H, L180H, L220H IS NOT COMPATIBLE WITH:

Rear view mirrors, el.adjusted and heated WL45201

Rear view mirrors, el.adjusted and heated, long arm right WL45203

Standard on L180H High-Lift and L260H



Rear view mirrors, el.adjusted and heated, long arm right

Available for L60H, L70H, L90H, L110H, L120H, L150H, L180H, L220H

WL45203

External mirrors are electrically adjusted from inside the cab. Heating keeps them free from mist and ice in damp or cold weather conditions or when working underground. The mirror glass is equipped with a heating coil on the back. The appropriate switches are located on the A-pillar.

- Safety.
- Comfort.
- Productivity.
- Ease of operation.

IS NOT COMPATIBLE WITH:

Rear view mirrors, el.adjusted and heated WL45201 Rear view mirrors, long arm right WL45202





Rear view mirror

Available for L60H, L70H, L90H, L110H, L120H

WL45204

The mirrors are mounted on the cab to increase the operator's visibility to the rear of the machine.

- Increases the visibility to the rear of the machine.
- For operating according to the visibility requirements.

Remarks. Technical combination requirements / restrictions.

This option is to be fitted on wheel loaders with CE marking to meet the visibility requirements. This only applies when fulfillment of visibility requirement standard: ISO 5006:2006 added in EN 474-1:2006 and Machinery directive 2006/42/EC are required.

For L60H, L70H, L90H, L110H, L120H:

This option is needed if option Rear view camera sales code WL45016 is not ordered.

IS NOT COMPATIBLE WITH:

Cab air pre-cleaner, cyclone type WL45012



Rear view mirrors, electrically adjusted and heated

Available for L60H, L70H, L90H, L110H, L120H, L150H, L180H, L180H High-Lift, L220H, L260H, L350H

WL45201

This option includes operational rear view mirrors which can be electrically adjusted from the cab by a control switch located on the right A-post.

- Electrically heated for safe operation in icy and misty conditions.
- Increased operator comfort.

Also available as aftermarket option.

IS NOT COMPATIBLE WITH:

Rear view mirrors, long arm right WL45202

Rear view mirrors, el.adjusted and heated, long arm right WL45203



Hydraulics



Volvo hydraulic fluid, biodegradable

Available for L60H, L70H, L90H, L110H, L120H, L150H, L180H, L180H High-Lift, L220H, L260H, L350H

WL60006

The standard hydraulic oil is replaced by environmentally responsible hydraulic fluid, synthetic ester with trade name Volvo. The approved synthetic esters fulfill the same demands as standard hydraulic oil:

- Good lubrication qualities.
- Good corrosion protection.
- Should not come into contact with sealing materials, filters or varnish.
- Withstands high temperatures without being destroyed.
- Good liquidity at low and high temperatures.
- The synthetic ester can only be used in the hydraulic system, including the brake system and steering system.
- This oil cannot be mixed with other optional hydraulic fluids.
- Used biodegradable fluid must be treated as standard hydraulic oil. Additives and wear material in the fluid must be considered as contamination, which represent some environmental and health risks.
- Can be used with the same seals and filters as for the standard hydraulic oil.
- Non-toxic.
- Have good biodegradability.
- An acceptable price compared to standard hydraulic oil.
- Less environmental contamination if a hydraulic hose is leaking.
- The changing intervals for this oil is 4000 hours compared to another biologically degradable hydraulic oil with a 2000 hour interval.



Hydraulic oil for cold climate

Available for L60H, L70H, L90H, L110H, L120H, L150H, L180H, L180H High-Lift, L220H, L260H, L350H

WL60007

Improves the machine's operating capacity, ensuring better performance and uptime at low ambient temperatures.

- Productivity.
- Durability.
- Operating Cost.

Hydraulic oil for cold climate

Available for L60H, L70H, L90H, L110H, L120H, L150H, L180H, L180H High-Lift, L220H, L260H, L350H

30° C (- 22 F) or below. Changed hydraulic oil.



Hydraulic fluid, for hot climate

Available for L60H, L70H, L90H, L110H, L120H, L150H, L180H, L180H High-Lift, L220H, L260H, L350H

WL60004

Today's hydraulic systems rely on fluids that can resist changes in viscosity as temperatures rise and fall. For operations in hot climates, Volvo recommends a viscosity grade of 68. A viscosity grade of 68 is designed to give the most stable viscosity in hot climate applications. This fluid is a mineral oil and fulfills standard V68/AV68 and ISO VG 68 HV. Note: please refer to the operator's manual of the equipment for the proper viscosity grade.

- Suitable for operation in hot climates.
- Provides outstanding performance of the hydraulic system.
- Offers the best assurance for a long hydraulic system life time.
- Provides optimal performance in hot climate and severe conditions.



Hydraulic fluid, fire resistant

Available for L60H, L70H, L90H, L110H, L120H, L150H, L180H, L180H High-Lift, L220H, L260H, L350H

WL60005

This hydraulic fluid is based on high-quality, synthetic, organic esters and carefully selected additives to achieve excellent hydraulic fluid performance. It is recommended for use as a replacement for regular mineral oil based hydraulic fluid for machines operating in fire hazardous and environmentally sensitive applications.

Note: if replacing a mineral oil based hydraulic fluid with the fire resistant synthetic ester fluid, a mixture of maximum 5% residual mineral oil is allowed in order to maintain the fire resistant properties.

- Fire resistant.
- Higher auto-ignition temperature.
- Self extinguishing properties.
- Interchangeable with most mineral oil based fluids.
- Viscosity according to ISO VG 68.



Arctic kit, attachment locking hoses

Available for L60H, L70H, L90H, L110H, L120H

WL89003

This option is a kit of hydraulic hoses which is used for attachment locking.

These can withstand extremely low temperature much better than standard hoses, up to -40° C (only available for standard boom).

- More flexible and lower risk of cracks in very cold conditions.

IS NOT COMPATIBLE WITH:

For L60Gz, L90Gz

- Differential lock arctic, without attachment bracket WL89014

- Separate attachment locking, standard boom WL64001

For L120Gz

- Differential lock arctic, without attachment bracket WL89014

- Separate attachment locking, standard boom WL64001

- Separate attachment locking, long boom WL64002

For L60H, L70H, L90H, L110H, L120H

- Long boom WL11002

REQUIRES THIS OPTION for L60Gz, L90Gz, L120Gz:

- Brake system, Arctic WL89009

- Hydraulic 2 functions, Arctic WL89013

- or Arctic kit for 3rd function WL89007

For L60H, L70H, L90H, L110H, L120H

- Separate attachment locking, standard boom WL64001



Arctic kit for 3rd function

Available for L150H, L180H, L220H, L260H

WL89007

This option kit of hydraulic hoses is used for the third hydraulic function. These can withstand extremely low temperatures much better than standard hoses, up to -40° C (only available for standard boom).

- More flexible and less risk of cracks in very cold conditions.

IS NOT COMPATIBLE WITH:

For L60Gz, L90Gz

- Hydraulic 3 functions WL61016

- Hydraulic 2 functions, Arctic WL89013

For L120Gz

- Hydraulic 3 functions WL61016

- Long boom WL11001

- Hydraulic 2 functions, Arctic WL89013

For L150H, L180H, L220H

Loading unit, Long boom WL11001

For L260H

Electro-hydraulic 3 functions, long boom WL61019

REQUIRES THIS OPTION:

For L60Gz, L90Gz

- Differential lock arctic, without attachment bracket WL89014

- Brake system, Arctic WL89009

For L120Gz

- Differential lock arctic, without attachment bracket WL89014

- Brake system, Arctic WL89009

- Arctic kit, attachment locking hoses WL89003

For L150H, L180H, L220H

Electro-hydraulic 3 functions WL61016 or

Separate attachment locking, standard boom WL64001

For L260H

Electro-hydraulic 3 functions WL61016



Boom cylinder hose and tube guards

Available for L60H, L70H, L90H, L110H, L120H, L150H, L180H, L220H

WL86018

This optional equipment is designed to protect the boom cylinder hoses and tubes. These "box-type" structures prevent damage to the hoses and/or pipes when debris becomes trapped between the front frame and the boom cylinders. Steel spiral hose guards and protective plates are used to cover the hoses connecting the boom cylinders to the main valve. This option is adapted for the machines with a standard boom.

- Protects the boom cylinder hoses and tubes from being easily damaged.
- Less downtime due to repairs.
- Saves cost of replacing expensive parts.

IS NOT COMPATIBLE WITH:

Boom cylinder hose and tube guards for long boom WL86019





Boom cylinder hose and tube guards for long boom

Available for L60H, L70H, L90H, L150H, L180H, L220H, L260H

WL86019

This optional equipment is designed to protect the boom cylinder hoses and tubes. These "box-type" structures prevent damage to the hoses and/or pipes when debris becomes trapped between the front frame and the boom cylinders. Steel spiral hose guards and protective plates are used to cover the hoses connecting the boom cylinders to the main valve. This option is adapted for the machines with a long boom.

- Protects the boom cylinder hoses and tubes from being easily damaged.
- Less downtime due to repairs.
- Saves cost of replacing expensive parts.

IS NOT COMPATIBLE WITH:

Boom cylinder hose and tube guards WL86018

REQUIRES THIS OPTION:

Loading unit, Long boom WL11001



Hydraulic 3 functions

Available for L60H, L70H, L90H, L110H, L120H, L150H, L180H, L220H, L260H, L350H

This option is an electro-hydraulic function for attachments which need an extra function such as log grapples, side dump buckets etc. The third hydraulic function is activated with the third function lever.

L60H, L70H, L90H: hydraulically controlled.

L110H and up: electrically controlled.

- Easy to handle from the operator's position.
- Possibility to use hydraulic attachments such as timber grapples.
- Extends the use of the machine in other applications.

Hydraulic 3 functions, standard boom

Available for L60H, L70H, L90H, L110H, L120H, L150H, L180H, L220H, L260H, L350H

WL61016

Also available as aftermarket option.

Hydraulic 3 functions, long boom

Available for L60H, L70H, L90H, L110H, L120H, L150H, L180H, L220H, L260H, L350H

WL61019

REQUIRES THIS OPTION:

Loading unit, Long boom WL11001



Hydraulic 4 functions

Available for L60H, L70H, L90H, L110H, L120H, L150H, L180H, L220H, L260H, L350H

This option is a hydraulic function for attachments which need multiple hydraulic functions such as timber grapples with heel/kick out, angling of brooms or snowblades. The hydraulic functions are activated with the control levers.

This option is adapted for machines with a LONG boom.

L60, L70H, L90H: hydraulically controlled.

L110H and up: electrically controlled.

Hydraulic 4 functions, standard boom

Available for L60H, L70H, L90H, L110H, L120H, L150H, L180H, L220H

WL61017

Also available as aftermarket option.

Hydraulic 4 functions, long boom

Available for L60H, L70H, L90H, L110H, L120H, L150H, L180H, L220H

WL61020

REQUIRES THIS OPTION:

Loading unit, Long boom WL11001



Hydraulic 2 functions, Electrical

Available for L60H, L70H, L90H

Two functions multi levers with hydraulic functions for lift and tilt. Servo controls mounted on the operator's seat following the seat movement.

Electro servo controls enable return-to-dig feature and end-stroke dampening. Allows operator to set detent functions, bucket and boom positions from inside the cab with switches found on the right side A-pillar.

Benefits:

- Hydraulic dampening for smooth stops at the top of the lift range prevents material spillage.
- Ease of operation.
- Simultaneous and precise control of the hydraulic functions for faster working cycles and improved productivity

Hydraulic 2 functions, Electrical, Standard

Available for L60H, L70H, L90H

WL61027

Hydraulic 2 functions, Electrical, Long boom

Available for L60H, L70H, L90H

WL61028



Hydraulic 3 functions, Electrical

Available for L60H, L70H, L90H

This option is an hydraulic function for attachments which need an extra function such as log grapples, side dump buckets etc. The third hydraulic function is activated with the third function lever.

Servo controls mounted on the operator's seat following the seat movement.

Electro servo controls enable return-to-dig feature and end-stroke dampening. Allows operator to set detent functions, bucket and boom positions from inside the cab with switches found on the right side A-pillar.

This option is an hydraulic function for attachments which need an extra function such as log grapples, side dump buckets etc. The third hydraulic function is activated with the third function lever.

Benefits:

- Hydraulic dampening for smooth stops at the top of the lift range prevents material spillage.
- Ease of operation

Hydraulic 3 functions, Electrical, standard

Available for L60H, L70H, L90H

WL61029

Hydraulic 3 functions, Electrical, Long boom

Available for L60H, L70H, L90H

WL61030



Hydraulic 4 functions, Electrical

Available for L60H, L70H, L90H

Servo controls mounted on the operator's seat following the seat movement.

Electro servo controls enable return-to-dig feature and end-stroke dampening. Allows operator to set detent functions, bucket and boom positions from inside the cab with switches found on the right side A-pillar.

This option is a hydraulic function for attachments which need multiple hydraulic functions such as timber grapples with heel/kick out, angling of brooms or snowblades. The hydraulic functions are activated with the control levers.

- Possibility to use hydraulic attachments with two control functions.
- Easy to handle from the operator's position.
- Extends the use of the machine in other applications.

Hydraulic 4 functions, Electrical, standard boom

Available for L60H, L70H, L90H

WL61031

Hydraulic 4 functions, Electrical, Long boom

Available for L60H, L70H, L90H

WL61032



Available for L60H, L70H, L90H



Available for L110H, L120H, L150H, L180H, L220H, L260H, L350H



Available for L60H, L70H, L90H



Available for L110H, L120H, L150H, L180H, L220H, L260H, L350H

Single lever control, 1-2 functions

Available for L60H, L70H, L90H, L110H, L120H, L150H, L180H, L220H, L260H, L350H

Two function joystick hydraulic control lever with hydraulic functions for lift and tilt.

L60, L70H, L90H: hydraulically controlled.

L110H and up: electrically controlled.

The single-lever gives the operator an easy and exact control over bucket and other tools. Easy access of directional gear shifting button.

For L110 and up the single-lever can easily be switched to a multi-lever system if requested, beneficial for e.g. rental fleets.

Simultaneous and precise control of the hydraulic functions for faster working cycles and improved productivity.

Single lever control, 1-2 functions, standard boom

Available for L60H, L70H, L90H, L110H, L120H, L150H, L180H, L220H, L260H, L350H

WL47001

Also available as aftermarket option.

Single lever control, 1-2 functions, Long boom

Available for L60H, L70H, L90H, L110H, L120H, L150H, L180H, L220H, L260H, L350H

WL47008

Single lever control, 3 functions

Available for L60H, L70H, L90H, L110H, L120H, L150H, L180H, L220H, L260H

Three function joystick hydraulic control lever, including third hydraulic function.

L60, L70H, L90H: hydraulically controlled.

L110H and up: electrically controlled.

The single-lever gives the operator an easy and exact control over bucket and other tools. Easy access of directional gear shifting button. The 3rd hydraulic function/detent function is built in into the joystick.

The single-lever can easily be switched to a multi-lever system if requested, beneficial for e.g. rental fleets.

For L110 and up the single-lever can easily be switched to a multi-lever system if requested, beneficial for e.g. rental fleets.

• Simultaneous and precise control of the hydraulic functions for faster working cycles and improved productivity.

Single lever control, 3 functions, standard boom

Available for L60H, L70H, L90H, L110H, L120H, L150H, L180H, L220H, L260H

WL47002

Also available as aftermarket option.

Single lever control, 3 functions, Long boom

Available for L60H, L70H, L90H, L110H, L120H, L150H, L180H, L220H, L260H, L350H

WL47005



Single lever control, 4 functions

Available for L110H, L120H, L150H, L180H, L220H

Electro-hydraulic, single lever control for Lift- / Tilt- / 3rd and 4th function. The single-lever gives the operator an easy and exact control over bucket and other tools. Easy access of directional gear shifting button. For L110 and up the single-lever can easily be switched to a multi-lever system if requested, beneficial for e.g. rental fleets.

Benefits

- All hydraulic functions in one hand.
- Easy operated.
- Ergonomic installation, improves operator comfort.
- Easy to operate.
- Easy switch between single-lever and multi-lever Electro-servo.

Single lever control, 4 functions

Available for L110H, L120H, L150H, L180H, L220H

WL47006

Also available as aftermarket option.

Single lever control, 4 functions, Long boom

Available for L110H, L120H, L150H, L180H, L220H

WL47007



Single lever control, 1-2 functions, Electrical

Available for L60H, L70H, L90H

Two function joystick hydraulic control lever with hydraulic functions for lift and tilt.

Single lever control, 1-2 functions, Electrical, standard

Available for L60H, L70H, L90H

WL47010

Single lever control, 1-2 functions, Electrical, Long boom

Available for L60H, L70H, L90H

WL47011

The single-lever gives the operator an easy and exact control over bucket and other tools. Easy access of directional gear shifting button.

Benefits

- All hydraulic functions in one hand.
- Easy operated.
- Ergonomic installation, improves operator comfort.
- Easy switch between single-lever and multi-lever Electro-servo
- Simultaneous and precise control of the hydraulic functions for faster working cycles and improved productivity



Single lever control, 3 functions, Electrical

Available for L60H, L70H, L90H

Three function joystick hydraulic control lever, including third hydraulic function.

The single-lever gives the operator an easy and exact control over bucket and other tools. Easy access of directional gear shifting button.

Benefits

- All hydraulic functions in one hand.
- Easy operated.
- Ergonomic installation, improves operator comfort.
- Easy switch between single-lever and multi-lever Electro-servo.
- Simultaneous and precise control of the hydraulic functions for faster working cycles and improved productivity

Single lever control, 3 functions, Electrical

Available for L60H, L70H, L90H

WL47012

Single lever control, 3 functions, Electrical, Long Boom

Available for L60H, L70H, L90H

WL47013

The 3rd hydraulic function/detent function is built in into the joystick.

The single-lever can easily be switched to a multi-lever system if requested, beneficial for e.g. rental fleets.



Single lever control, 4 functions, Electrical

Available for L60H, L70H, L90H

Electro-hydraulic, single lever control for Lift- / Tilt- / 3rd and 4th function. The single-lever gives the operator an easy and exact control over bucket and other tools. Easy access of directional gear shifting button.

Benefits

- All hydraulic functions in one hand.
- Easy operated.
- Ergonomic installation, improves operator comfort.
- Easy switch between single-lever and multi-lever Electro-servo.

Single lever control, 4 functions, Electrical

Available for L60H, L70H, L90H

WL47014

Single lever control, 4 functions, Electrical Long Boom

Available for L60H, L70H, L90H

WL47015



Heat protected, lift and tilt hoses

Available for L150H, L180H, L220H

WL97006

The hydraulic hoses for lifting and tilting function are protected from warm slag by both silicon (heat resistant materials) and metal sleeves. The metal sleeves will also protect the silicon parts (heat-resistant materials) while a high-pressure washer is using for cleaning of machine.



Servo system Arctic

Available for L110H, L120H, L150H, L180H, L180H High-Lift, L220H, L260H, L350H

WL89010

Servo hoses and accumulators for standard and OptiShift machines for cold climates.

IS NOT COMPATIBLE WITH:

- For L150H, L180H, 220H

Separate attachment locking, Long boom WL64002

Separate attachment locking, Standard boom WL64001

Servo system Standard/Optishift WL65009

Servo system Standard/Optishift and attachment lock, Arctic WL89011

- For L260H

REQUIRES THIS OPTION:

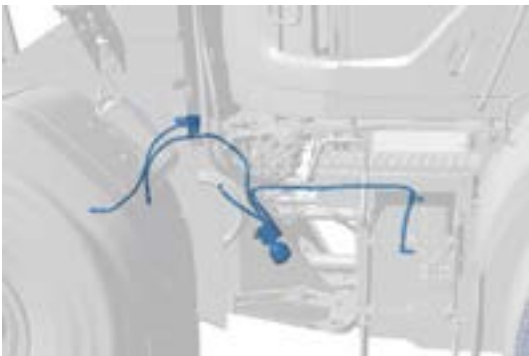
- For L110H, L120H

Brake system, Arctic WL89009

- For L150H, L180H, L220H, L260H

Brake system, Arctic WL89009

Mineral oil for cold climate WL60007



Servo system with attachment locking Arctic

Available for L150H, L180H, L220H

WL89011

Servo system, differential lock, attachment locking, hoses for arctic conditions.

IS NOT COMPATIBLE WITH:

Servo system Standard/Optishift, Arctic WL89010

Servo system Standard/Optishift and attachment lock WL64001

Servo system Standard/Optishift and attachment lock, Long boom WL64002

REQUIRES THIS OPTION:

Brake system, Arctic WL89009

Mineral oil for cold climate WL60007



Arctic kit, pilot hoses, hydraulic oil

Available for L60H, L70H, L90H

WL89002

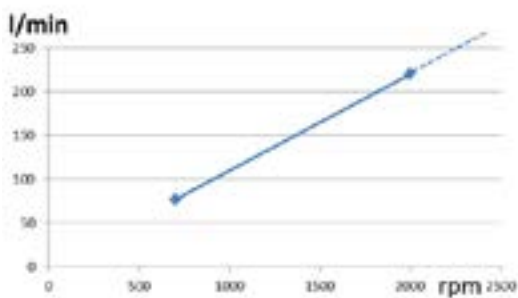
This option includes pilot hydraulic hoses, accumulators, hoses for brake system and hydraulic oil. These components and hoses can withstand extremely low temperatures much better than their standard counterparts.

- More flexible and less risk of cracks in very cold conditions.
- Components with better cold resistance.

REQUIRES THIS OPTION:

For L60H, L70H, L90H:

Mineral oil for cold climate WL60007



HD LS Hydraulic Systems, pump kit included

Available for L70H

WL62003

This option gives the possibility to operate high demanding hydraulic attachments such as grass mowers, brush cutters and small snow blowers that are equipped with load sensing valves.

- Gives a high flow and pressure and creates less heat loss for demanding hydraulic equipment.



Adjustable flow for third hydraulic function

Available for L60H, L70H, L90H

WL65003

This option gives the possibility to regulate the flow of the third hydraulic function with the knob in the cab. This is ideal with attachments such as sweepers or hand tools. Two other functions are included in this option:

- Detent function which gives constant flow for the third function.
- Emergency stop and holding function which cuts out the function when stopping the engine.

IS NOT COMPATIBLE WITH:

Hydraulic 2 functions, Single lever control WL47001 Detent for third hydraulic function WL65001

Single lever control / third hydr. function WL47002

REQUIRES THIS OPTION:

Hydraulic 3 functions, Long Boom WL61003 or

Hydraulic 3 functions, Normal Boom WL61001 or Hydraulic 4 functions, Long boom WL61004 or

Hydraulic 4 functions; Normal Boom WL61002

NOTE:

Standard equipment on machines equipped with Electro servo control.



Detent for 3rd hydraulic function

Available for L60H, L70H, L90H

WL65001

By locking the lever for the 3rd hydraulic function in the rear position with an electro magnet this option enables continuous flow to the 3rd function. The emergency stop is also included in this option.

- Makes it possible to provide continuous flow to the 3rd function when used with attachments e.g. a broom, snow-blower etc.
- Standard equipment on machines equipped with Electro servo control.



Grapple with hydraulic clamping arm



Hydraulic equipment for grapple, clamp arm

Available for L180H High-Lift

WL65006

Required to operate the grapple clamp arm. One grapple cylinder is with pressure port to activate the clamp arm function.



Hydraulic equipment for grapple, chain arm

Available for L180H High-Lift

WL65011

Required to operate the grapple chain arm. Both grapple cylinders are without pressure port.



Service and Maintenance

Lube system

Available for L60H, L70H, L90H, L110H, L120H, L150H, L180H, L220H, L260H, L350H

Our factory-installed Automatic Lubrication System takes care of greasing while the machine is in operation. This means less downtime for scheduled maintenance and more time for productive work. The operator can alter the lubrication cycle to better suit the present application.

Note: this is a standard equipment on the L180H High-Lift

- Lower operation cost.
- Minimized service time.
- Highest safety.
- Longer product service life.
- Highest versatility.
- Easy to extend the system.



Available for L60H, L70H, L90H, L110H, L120H

Lube system, standard boom

Available for L60H, L70H, L90H, L110H, L120H, L150H, L180H, L220H, L260H, L350H

WL70003

Lube system, automatic, standard boom WL70003

IS NOT COMPATIBLE WITH:

Shortened headlight support brackets WL86025

Lube system, automatic, long boom WL70005

Grease nipple guards WL86007

Loading unit, long boom WL11001

REQUIRES THIS OPTION:

Lube system, for attachment bracket WL70001

NOTE: Standard on L180H High-Lift



Available for L150H, L180H, L220H, L260H, L350H

Lube system, long boom

Available for L60H, L70H, L90H, L110H, L120H, L150H, L180H, L220H, L260H, L350H

WL70005

Lube system, automatic, long boom WL70005

IS NOT COMPATIBLE WITH:

Shortened headlight support brackets WL86025

Lube system, automatic, standard boom WL70003

Grease nipple guards WL86007

REQUIRES THIS OPTION:

Loading unit, Long boom WL11001



Lube system for attachment bracket

Available for L60H, L70H, L90H, L110H, L120H, L150H, L180H, L220H

This option extends the automatic lube system to include greasing points on the attachment bracket.

- Longer product service life.
- Minimized service time.

IS NOT COMPATIBLE WITH:
Att. bracket VAB-STANDARD side tilt

REQUIRES THIS OPTION:

Lube system, automatic, long boom WL70005
Lube system, automatic, standard boom WL70003

Casted attachment bracket

Available for L60H, L70H, L90H, L110H, L120H

WL70001

Welded attachment bracket

Available for L150H, L180H, L220H

WL70009



Heat resistant lube system

Available for L150H, L180H, L220H

WL97009

- The hoses are protected with silicone sleeve.
- Hoses in front frame protected with both silicone and metal sleeves.
- The pump unit for the central lubrication system is covered with heat protection.



Refill pump for grease to lube system

Available for L60H, L70H, L90H, L110H, L120H, L150H, L180H, L180H High-Lift, L220H, L260H, L350H

WL71004

A refill pump is used for filling grease in the reservoir of the pump unit on a Automatic lube system.

- Makes refilling of your central lubrication system easy.
- Avoids contamination of the grease during refill.



Grease nipple guards

Available for L70H, L90H, L110H, L120H, L150H, L180H, L220H

WL86007

The grease nipple guards prevent grease nipples and tubes from being damaged. This option is effective in extreme applications.

- Increased uptime.
- Longer product service life.

IS NOT COMPATIBLE WITH:

For L70H, L90H, L110H, L120H, L150H, L180H, L220H:

Lube system, automatic, standard boom WL70003 Lube system, automatic, Long boom WL70005



Oil sampling valve

Available for L60H, L70H, L90H, L110H, L120H, L150H, L180H, L180H High-Lift, L220H, L260H, L350H

WL71002

An oil sampling system is a fast and environmentally safe method to collect small amounts of oil from components like the engine, transmission, hydraulics and axles. Sampling and analyzing oil is a procedure that is appreciated by many customers. Oil particle analysis is performed on a regular basis. Oil changing intervals based on the results from laboratories, rather than the recommendations from the operator's manual, is sometimes more accurate due to the quality of oil and fuel being used. This kit does not include an analysis service from Volvo. If the customer is interested in this service please contact your CST local representative.

- Early warnings make it possible to plan component replacement before problem occurs.
- Increases the machine's reliability.
- Detects contamination and fluid degradation before these conditions cause equipment failure.
- Gives the maximum uptime.
- Reduces the repair cost during the lifetime of the machine.



Tool kit

Available for L60H, L70H, L90H, L110H, L120H, L150H, L180H, L180H High-Lift, L220H, L260H, L350H

WL71007

Tools for daily maintenance and service.

- Access to "first aid" equipment for service and minor repairs.



Wheel nut wrench kit

Available for L60H, L70H, L90H, L110H, L120H, L150H, L180H, L180H High-Lift, L220H, L260H

WL71003

This option includes a wheel nut wrench. This simplifies daily maintenance and service.

- Provides the tools to assemble or disassemble the wheel from the axle.

NOTE: standard for L350H.



Air nozzle in engine compartment

Available for L150H, L180H, L180H High-Lift, L220H, L260H, L350H

WL71010

Compressed air is stored in an accumulator, equipped with a quick coupler for an air blow gun. With the engine running, there will be a constant supply of air from the accumulator. With the engine shut off, the accumulator can provide compressed air for about one minute.

With the machine running, the accumulator provides pressured air continuously.

Specifications.

- Quick coupling G ¼ on air tank

- Hose length 5 m

- Air nozzle is Volvo branded

- Bag for air nozzle and hose is located in the toolbox

• Adds the possibility of maintaining a clean machine and machine parts with pressured air

• Easier cleaning of parts.

• Suitable for small operations like local cleaning before reassembly, cleaning connectors, cleaning filters etc.

REQUIRES TIER 4 FINAL ENGINE



Miscellaneous



Noise reduction kit, Europe, excluding decal

Available for L60H, L70H, L90H, L110H, L120H

WL46002

In applications close to urban areas, there is a strong demand for lower sound levels, especially during night operation. This noise reduction kit reduces the sound level/pressure from the machine to EU regulated level.

- Reduces the sound level/pressure.
- Fulfills EU directive 2000/14/.



Noise reduction kit

Available for L150H, L180H, L180H High-Lift, L220H, L260H

WL46003

Noise reduction kit, incl. wheel housing LH side. In applications close to urban areas, there is a strong demand for lower sound levels, especially during night operation. This noise reduction kit reduces the sound level/pressure from the machine.

- Reduces the sound level/pressure.
- Fulfills EU regulations EU directive 2000/14/.



Kit, Germany

Available for L60H, L70H, L90H, L110H, L120H, L150H

WL88002

This option consists of additional parts and decals to fulfill the German legislation for machines used on public roads. Included in the kit are: an additional German product plate, a machine speed decal, wheel chocks, a license plate holder with lights for German License plate, additional test nipples for brake system, and over-wide red/white marking signs. It also includes the legally approved documents.

Fulfills German legislation for machines used on public roads.

IS NOT COMPATIBLE WITH:

- For L60H, L70H, L90H
Side marker lamps WL50001
- For L110H, 120H
Side marker lamps WL50001
- Shortened headlight support brackets WL86025
- For 150H

Cab ladder, rubber suspended WL45006

Radiator grill, guard WL86016

Side marker lamps WL50001

REQUIRES THIS OPTION:

- For L60H, L70H, L90H
Bucket teeth protection WL86008
- License plate holder WL50007
- Mudguards, full cover, rear for 80-series tires WL22004
- Mudguards, full cover, front/rear, plastic/sheet metal fr for 65-series tires WL22003
- For L110H,120H
Mudguards, full cover, rear for 80-series tires WL22004
- Steering, secondary WL45019
- License plate holder, lighting left side WL50007
- Sign, 50 km/h WL84002
- Bucket teeth protection WL86008
- For 150H
Sign, 50 km/h WL84002
- Mudguards, full cover, front/rear for 80-series tires WL22010
- Bucket teeth protection WL86008
- CE-marking WL87002
- License plate holder, lighting left side WL50007



Bucket teeth protection

Available for L60H, L70H, L90H, L110H, L120H, L150H, L180H

WL86008

To ensure safety a red painted protection must cover the bucket's teeth during road transport.

- Legal requirement in Germany.



Corrosion protection, painting of attachment bracket

Available for L60H, L70H, L90H, L110H, L120H, L150H, L180H

WL86012

When operating in corrosive environments the standard paint process can be replaced by a process that effectively protects the attachment bracket from corrosion. This treatment makes the attachment bracket suitable for applications where the working environment can be outside the pH-range of 6-8.

- Longer product service life in aggressive environments.



Corrosion protection, painting of machine

Available for L60H, L70H, L90H, L110H, L120H, L150H, L180H, L220H, L260H

WL86014

When operating in corrosive environments, the standard paint process can be replaced by a process that effectively protects the machine from corrosion. This treatment makes the machines suitable for applications where the working environment can be outside the pH-range of 6-8.

The parts that we paint:

- Front frame
- Rear frame
- Boom unit system
- Cab
- Cylinders

- Longer product service life in aggressive environments.

No Anti-Rust Agent

Available for L60H, L70H, L90H, L110H, L120H, L150H, L180H, L180H High-Lift, L220H, L260H, L350H

WL86045

Volvo CE have changed the anti-rust protection to a standard option.

Machines can be ordered without the rust protection for customers who wish so. E.g. for machines which will be partly painted in other color or otherwise treated before delivery to customer.

Note! This option is only available for Sweden, Denmark, Finland, Iceland, Norway and Germany.

It's not possible to select from long distance markets due to the risk of initial rust.



Reflectors, machine contour

Available for L110H, L120H, L150H, L180H, L180H High-Lift, L220H, L260H, L350H

WL83007

With Reflectors the machine contour is displayed, enabling you to be able to clearly see the machine in dark conditions.

The look differentiates Volvo machines from those of competitors.

Specifications:

- Lift frame: black reflectors that illuminate when lit.
- Cabin and engine hood: yellow reflectors.
- Steps: yellow.
- Logotype: Volvo and Designation in reflective material.
- Reflective stickers, which follow the machine's contours, are available.
 - Increased machine visibility, even in a dark working environment, for better work site safety.



Fire Extinguisher

Available for L60H, L70H, L90H, L110H, L120H, L150H, L180H, L180H High-Lift, L220H, L260H, L350H

WL86033

Fire Extinguisher, 6 kg (13 lb) powder, class 43A 233BC. Swedish / English decal. If machines are equipped with the Fire suppression System fulfilling SBF-127 (Swedish Fire protection association), 2 pc of Fire Extinguisher has to be installed.

Installed on the left front fender.

Not available for North America.

Factory installed.

REQUIRES THIS OPTION:

Bracket for fire extinguisher WL86034

IS NOT COMPATIBLE WITH:

Fire extinguisher, two pieces WL86038

Bracket for fire extinguisher, two pieces WL86039

Deleted front mudguards and wideners rear WL22001 or

Deleted front mudguards WL22006



Fire extinguisher, two pieces

Available for L60H, L70H, L90H, L110H, L120H, L150H, L180H, L180H High-Lift, L220H, L260H

WL86038

Two Fire Extinguisher, 6 kg (13 lb) powder, class 43A 233BC. Swedish / English decal. If machines are equipped with the Fire Suppression System and this option it will fulfilling SBF-127(Swedish Fire protection association).

Installed on the left and right front fender.

- Factory installed.

IS NOT COMPATIBLE WITH:

Fire extinguisher , WL86033

Bracket for fire extinguisher WL86034

REQUIRES THIS OPTION:

Bracket for fire extinguisher, two pieces WL86039



Bracket for fire extinguisher

Available for L60H, L70H, L90H, L110H, L120H, L150H, L180H, L180H High-Lift, L220H, L260H, L350H

WL86034

Adjustable Bracket for Fire Extinguisher sizes between 4-12 kg (9-26 lb). The bracket is adjustable to fit the most common Fire extinguisher on the market.

Installed on the left front fender.

- Factory installed.
- Fits the most common fire extinguisher.

IS NOT COMPATIBLE WITH:

Deleted front mudguards and wideners rear WL22001 or

Deleted front mudguards WL22006



Bracket for fire extinguisher, two pieces

Available for L60H, L70H, L90H, L110H, L120H, L150H, L180H, L180H High-Lift, L220H, L260H

WL86039

Adjustable Bracket for Fire Extinguisher sizes between 4-12 kg (9-26 lb). The bracket is adjustable to fit the most common Fire extinguisher on the market.

Installed on the left and right front fender.

- Factory installed.
- Fits the most common Fire Extinguisher

IS NOT COMPATIBLE WITH:

Deleted front mudguards and wideners rear WL22001 or

Deleted front mudguards WL22006.



Fire extinguisher, Rear mount

Available for L150H, L180H, L220H

WL97017

1 piece of 6 kg fire extinguisher located at rear side, left side of machine for easy to access from the ground.

This option must be combined with Radiator Grille Guard (WL86023). Not available for North America.



Fire Suppression System

Available for L60H, L70H, L90H, L110H, L120H, L150H, L180H, L180H High-Lift, L220H, L260H, L350H

WL86029

A fully integrated, factory installed fire suppression system developed especially for Volvo wheel loaders. Up to 16 nozzles are automatically activated inside the engine bay and under the cab when a fire is detected. The system can also be manually triggered both from inside and outside the cab. The system carries a wet chem. (liquid) agent for maximum effect. When activated the system also signals the surrounding area of danger by audio and light signal.

Fire is an unpredictable phenomenon and no two are alike. It's important to point out that this is a fire suppression system, the primary purpose of which is to give the operator time to reach safety and, if possible, keep the fire from spreading further. In most cases, the system will completely extinguish the fire.

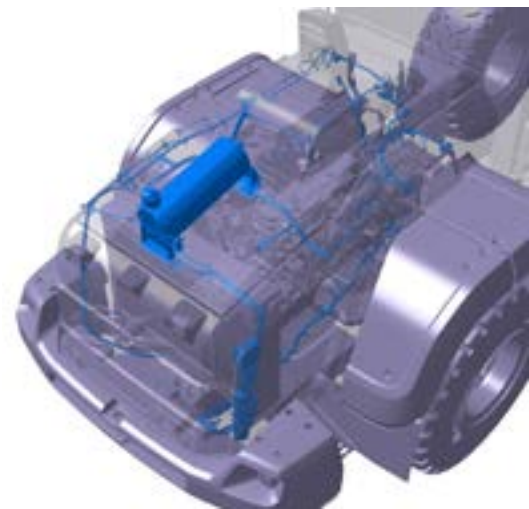
- Factory Installed
- Tailor made for the Volvo.
- Wet chem system (liquid), not as aggressive on components as dry chem (powder).
- Low repair cost. Increased uptime
- Volvo service support.
- Intensively tested.
- Adds protection both for the operator and machine.

REQUIRES THIS OPTION:

WL30011: Engine Auto Shut Down

WL53003: Battery Disconnect Switch, additional in-cab (North America)*

WL86035: Emergency stop



Guardrail on rear left mudguard

Available for L110H, L120H

WL86032

Guardrail on rear left mudguard provides additional protection.





Guardrail on rear right mudguard

Available for L110H, L120H

WL86031

Guardrail on rear right mudguard provides additional protection.

IS NOT COMPATIBLE WITH:

Air pre-cleaner, oil-bath type WL31003



Hand rail on counterweight

Available for L150H, L180H, L180H High-Lift, L220H, L260H

WL86044

Handrails mounted on the left side and right side of the counterweight.

- Easier and safer in/out

IS NOT COMPATIBLE WITH:

Radiator grill, guard WL86023

Germany and Italy On Road Certification





Mudguard widener, front/rear for 80-series tires

Available for L150H, L180H, L220H, L260H

WL24001

The mudguard wideners, when attached to the basic mudguards, provide 100% coverage over the width of the 80-series tires. Additionally, the wideners function as edge protectors for the basic mudguards.

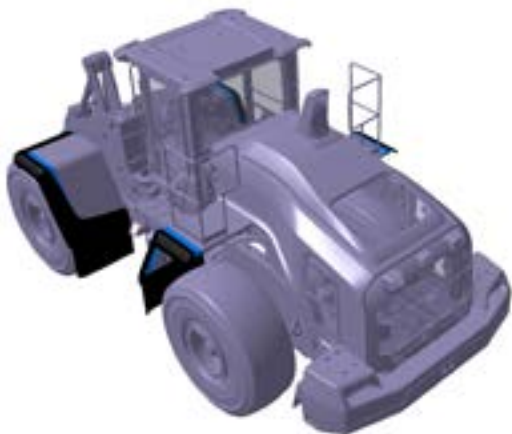
- Improves the protection against mud and debris.
- Provides 100% coverage over the tire width.
- Protects the edge of the basic mudguards.

IS NOT COMPATIBLE WITH:

Deleted front mudguards WL22006

Mudguard widener, front/rear for 65-series tires WL24002 Mudguards, full cover, front/rear for 80-series tires WL22010 Mudguards, full cover, front/rear for 65-series tires WL22011

Note for picture: black = plastic / blue = steel.



Mudguard widener, front/rear for 65-series tires

Available for L150H, L180H, L220H, L260H

WL24002

The mudguard wideners, when attached to the basic mudguards, provide 100% coverage over the width of the 65-series tires. Additionally, the wideners function as edge protectors for the basic mudguards.

- Improved protection against mud and debris.
- Provides 100% coverage over the tire width.
- Protects the edge of the basic mudguards.

IS NOT COMPATIBLE WITH:

Deleted front mudguards WL22006

Mudguard widener, front/rear for 80-series tires WL24001 Mudguards, full cover, front/rear for 80-series tires WL22010 Mudguards, full cover, front/rear for 65-series tires WL22011

Note for picture: black = plastic / blue = steel.



Mudguards, full cover, front/rear for 80-series tires

Available for L150H, L180H, L220H, L260H

WL22010

This option offers full covering mudguards including mudguard wideners. The rear fenders are extended backwards to reduce dirt spray on the rear part of the machine. Additionally the wideners provide 100% coverage over the width of the tires and function as edge protectors for the basic mudguards.

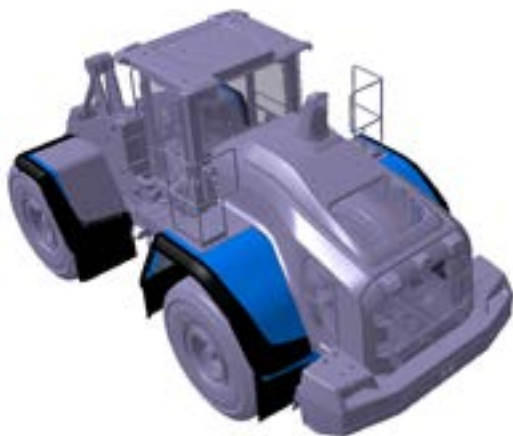
- Improves the protection against mud and debris.
- Provides 100% coverage over the tire width.
- Protects the edge of the basic mudguards.

IS NOT COMPATIBLE WITH:

Deleted front mudguards WL22006

Mudguard widener, front/rear for 80-series tires WL24001
Mudguard widener, front/rear for 65-series tires WL24002
Mudguards, full cover, front/rear for 65-series tires WL22011

Note for picture: black = plastic / blue = steel.



Mudguards, full cover, front/rear for 65-series tires

Available for L150H, L180H, L220H, L260H

WL22011

This option offers full covering mudguards including mudguard wideners. The rear fenders are extended backwards to reduce dirt spray on the rear part of the machine. Additionally the wideners provide 100% coverage over the width of the tires and function as edge protectors for the basic mudguards.

- Improves the protection against mud and debris.
- Provides 100% coverage over the tire width.
- Protects the edge of the basic mudguards.

IS NOT COMPATIBLE WITH:

Deleted front mudguards WL22006

Mudguard widener, front/rear for 80-series tires WL24001

Mudguard widener, front/rear for 65-series tires WL24002

Mudguards, full cover, front/rear for 80-series tires WL22010

Note for picture: black = plastic / blue = steel.



Mudguards, full cover, wideners and protection included

Available for L180H High-Lift

WL22007

This option offers full covering mudguards including mudguard wideners and protection.

- Improves the protection against mud and debris.
- Provides 100% coverage over the tire width.
- Protects the edge of the basic mudguards.

Note for picture: black = plastic / blue = steel.



Mudguards, full cover, rear for 80-series tires

Available for L60H, L70H, L90H, L110H, L120H

WL22004

The full cover mudguards extend the standard rear mudguards backwards to provide 100% coverage over the width and length of the 80-series tires.

- Improved protection against mud and debris.
- Provides 100% coverage over the tire length and width.
- Mudflap.

IS NOT COMPATIBLE WITH:

- For L60H, L70H, L90H

Mudguards, full cover, front/rear, plastic/sheet metal fr for 65-series tires WL22003

Deleted front mudguards WL22006

Mudguards, front and short rear, plastic/sheet metal fr for 65-series tires WL22002

- For L110H, L120H

Mudguards, full cover, front/rear, plastic/sheet metal fr for 65-series tires WL22003

Deleted front mudguards and wideners rear WL22001

Mudguards, front and short rear, plastic/sheet metal fr for 65-series tires WL22002

Mudguards, full cover, front/rear, plastic for 65-series tires WL22013

Mudguards, front and short rear, plastic for 65-series tires WL22012

REQUIRES THIS OPTION:

- For L110H, L120H

Mudguards, full cover, front steel for 80-series tires WL22014

Note for picture: black = plastic / blue = steel.



Mudguards, full cover, front steel for 80-series tires

Available for L110H, L120H

WL22014

• The full cover mudguards extend the standard rear mudguards backwards to provide 100% coverage over the width and length of the 80-series tires. The front mudguard is made of steel.

- Improved protection against mud and debris.

IS NOT COMPATIBLE WITH:

Mudguards, full cover, front/rear, plastic/sheet metal fr for 65-series tires WL22003

Deleted front mudguards and wideners rear WL22001

Mudguards, front and short rear, plastic/sheet metal fr for 65-series tires WL22002

Mudguards, full cover, front/rear, plastic front for 65-series tires

WL22013 Mudguards, front and short rear, plastic front for 65-series tires WL22012

Note for picture: black = plastic / blue = steel.



Mudflap kit front/rear for plastic front mudguards for 80-series tires

Available for L110H, L120H

WL23013

IS NOT COMPATIBLE WITH:

Mudguards, full cover, front/rear, plastic/sheet metal fr for 65-series tires WL22003

Deleted front mudguards and wideners rear WL22001

Mudguards, front and short rear, plastic/sheet metal fr for 65-series tires WL22002

Mudguards, full cover, front steel for 80-series tires WL22014

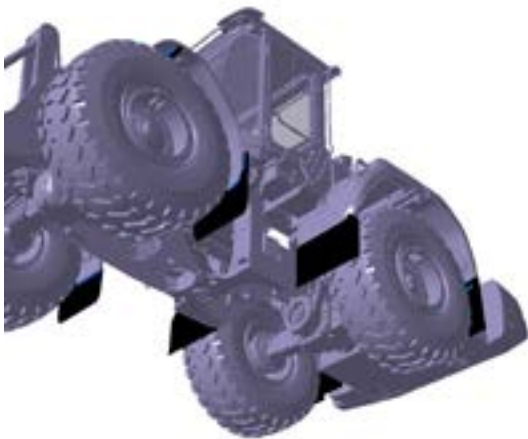
Mudguards, full cover, front/rear, plastic for 65-series tires WL22013

Mudguards, front and short rear, plastic for 65-series tires WL22012

REQUIRES THIS OPTION:

Mudguards, full cover, rear for 80-series tires WL22004

Note for picture: black = plastic / blue = steel.



Mudflap kit front/rear for plastic/steel front mudguards for 80-series tires

Available for L60H, L70H, L90H, L110H, L120H

WL23003

To further protect the machine from mud and debris, extra mudflaps can be added to the existing front and rear mudguards.

- Increases the protection against mud and debris.

IS NOT COMPATIBLE WITH:

- For L60H, L70H, L90H

Mudguards, full cover, front/rear, plastic/sheet metal fr for 65-series tires WL22003

Mudflap kit front/rear for plastic/steel fr mudguards for 65-series tires WL23001

Deleted front mudguards WL22006

Mudguards, front and short rear, plastic/sheet metal fr for 65-series tires WL22002

Flexible rear step WL71008

- For L110H, L120H

Mudguards, full cover, front/rear, plastic/sheet metal fr for 65-series tires WL22003

Deleted front mudguards and wideners rear WL22001

Mudguards, front and short rear, plastic/sheet metal fr for 65-series tires WL22002

Mudguards, full cover, front/rear, plastic for 65-series tires WL22013

Mudguards, front and short rear, plastic for 65-series tires WL22012

REQUIRES THIS OPTION:

- For L60H, L70H, L90H

Mudguards, full cover, rear for 80-series tires WL22004

- For L110H, L120H

Mudguards, full cover, front steel for 80-series tires WL22014

Note for picture: black = plastic / blue = steel.



Mudguards, front and short rear, plastic/sheet metal for 65-series tires

Available for L60H, L70H, L90H, L110H, L120H

WL22002

For the low profile 65-series tires wider short front and rear mudguards are available as optional equipment. These provide 100% coverage over the width of the 65-series tires.

- Improves the protection against mud and debris.

IS NOT COMPATIBLE WITH:

- For L60, L70H

Mudguards, full cover, front/rear, plastic/sheet metal fr for 65-series tires WL22003

Mudguards, full cover, rear for 80-series tires WL22004

- For L90H

Mudguards, full cover, front/rear, plastic/sheet metal fr for 65-series tires WL22003

Deleted front mudguards WL22006

Mudguards, full cover, rear for 80-series tires WL22004

- For L110, L120H

Mudguards, full cover, front/rear, plastic/sheet metal fr for 65-series tires WL22003

Deleted front mudguards and wideners rear WL22001

Mudguards, full cover, rear for 80-series tires WL22004

Mudguards, full cover, front steel for 80-series tires WL22014

Mudguards, full cover, front/rear, plastic for 65-series tires WL22013

Mudguards, front and short rear, plastic for 65-series tires WL22012

Note for picture: black = plastic / blue = steel.



Mudguards, front and short rear, plastic front for 65-series tires

Available for L110H, L120H

WL22012

Mudguards plastic for low profile 65-series tires, wider short front and rear mudguards.

- Provides good coverage over the width of the 65-series tires.
- Improves the protection against mud and debris.

IS NOT COMPATIBLE WITH:

Mudguards, full cover, front/rear, plastic/sheet metal fr for 65-series tires WL22003 Deleted front mudguards and wideners rear WL22001

Mudguards, front and short rear, plastic/sheet metal fr for 65-series tires WL22002

Mudguards, full cover, front steel for 80-series tires WL22014

Mudguards, full cover, front/rear, plastic for 65-series tires WL22013

Note for picture: black = plastic / blue = steel.



Mudguards, full cover, front/rear, plastic/sheet metal for 65-series tires

Available for L60H, L70H, L90H, L110H, L120H

WL22003

The full cover mudguards extend the standard rear mudguards backwards to provide 100% coverage over the width and length of the 65-series tires.

- Increases the protection against mud and debris.
- Provides 100% coverage over the tire length and width.

IS NOT COMPATIBLE WITH:

- For L60H, L70H

Mudguards, full cover, rear for 80-series tires WL22004

Mudguards, front and short rear, plastic/sheet metal fr for 65-series tires WL22002

- For L90H

Deleted front mudguards WL22006

Mudguards, full cover, rear for 80-series tires WL22004

Mudguards, front and short rear, plastic/sheet metal fr for 65-series tires WL22002

- For L110H, L120H

Deleted front mudguards and wideners rear WL22001

Deleted front mudguards WL22006

Mudguards, standard N.A.

Mudguards, full cover, rear for 80-series tires WL22004

Mudguards, front and short rear, plastic/sheet metal fr for 65-series tires WL22002

Mudguards, full cover, front steel for 80-series tires WL22014

Mudguards, full cover, front/rear, plastic for 65-series tires WL22013

Mudguards, front and short rear, plastic for 65-series tires WL22012

Note for picture: black = plastic / blue = steel.



Mudguards, full cover, front/rear, plastic front for 65-series tires

Available for L110H, L120H

WL22013

- The full cover mudguards extend the standard rear mudguards backwards to provide 100% coverage over the width of the 65-series tires.
- Improves the protection against mud and debris.

IS NOT COMPATIBLE WITH:

Mudguards, full cover, front/rear, plastic/sheet metal fr for 65-series tires WL22003 Deleted front mudguards and wideners rear WL22001

Mudguards, full cover, rear for 80-series tires WL22004

Mudguards, front and short rear, plastic/sheet metal fr for 65-series tires WL22002

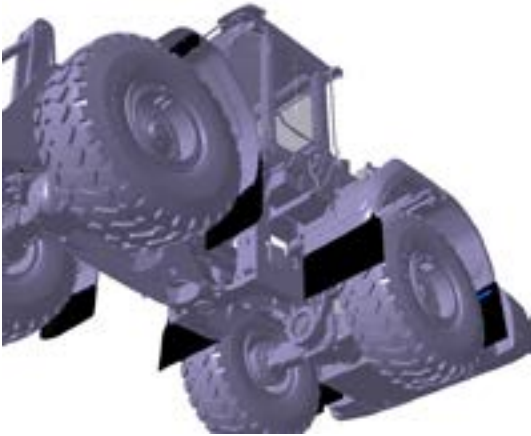
Mudguards, full cover, front steel for 80-series tires WL22014

Mudguards, front and short rear, plastic for 65-series tires WL22012

REQUIRES THIS OPTION:

Mudflap kit front/rear for plastic mudguards for 65-series tires WL23011

Note for picture: black = plastic / blue = steel.



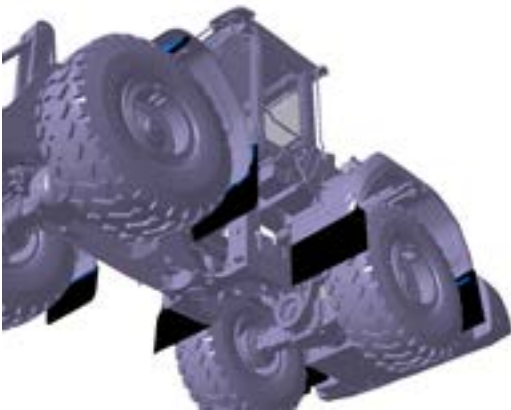
Mudflap kit front/rear for plastic front mudguards for 65-series tires

Available for L110H, L120H

WL23011

- The mud flap kit provides additional coverage and protection for the 65-series tires.
- IS NOT COMPATIBLE WITH:
- Mudguards, full cover, front/rear, plastic/sheet metal fr for 65-series tires WL22003 Deleted front mudguards and wideners rear WL22001
 - Mudguards, full cover, rear for 80-series tires WL22004
 - Mudguards, front and short rear, plastic/sheet metal fr for 65-series tires WL22002
 - Mudguards, full cover, front steel for 80-series tires WL22014
 - Mudguards, front and short rear, plastic for 65-series tires WL22012
- REQUIRES THIS OPTION:
- Mudguards, full cover, front/rear, plastic for 65-series tires WL22013

Note for picture: black = plastic / blue = steel.



Mudflap kit front/rear for plastic/steel fr mudguards for 65-series tires

Available for L60H, L70H, L90H, L110H, L120H

WL23001

- To further protect the machine from mud and debris, extra mudflaps can be added to the existing front and rear mudguards.
- Increases the protection against mud and debris. IS NOT COMPATIBLE WITH:
- For L60H, L70H, L90H
 - Mudguards, full cover, rear for 80-series tires WL22004
 - Mudguards, front and short rear, plastic/sheet metal fr for 65-series tires WL22002
 - Mudflap kit front/rear for plastic/steel front mudguards for 80-series tires WL23003
 - Flexible rear step WL71008
 - For L110H, L120H
 - Deleted front mudguards and wideners rear WL22001
 - Mudguards, full cover, rear for 80-series tires WL22004
 - Mudguards, front and short rear, plastic/sheet metal fr for 65-series tires WL22002
 - Mudguards, full cover, front steel for 80-series tires WL22014
 - Mudguards, full cover, front/rear, plastic for 65-series tires WL22013
 - Mudguards, front and short rear, plastic for 65-series tires WL22012
 - Flexible rear step WL71008

Note for picture: black = plastic / blue = steel.



Heat resistant mudflaps, front and rear

Available for L150H, L180H, L220H

WL97018

- All mudflaps in silicone instead of rubber.
This option should be ordered in combination with Fender Widener in steel.



Mudguard widener, steel

Available for L150H, L180H, L220H

WL97015

All mudguard wideners are in metal.

Recommended for machines working in hot applications (eg: Slag handling).

- Extends the service life of the mudguard in hot applications.



Rear fender, steel

Available for L150H, L180H, L220H

WL97020

Rear fenders in steel

Recommended for machines working in hot applications. (Eg: Slag handling).

- Extends the service life of the mudguard in hot applications.



Deleted front mudguards

Available for L60H, L70H, L90H, L150H, L180H, L220H, L260H

WL22006

The front mudguards can be removed to prevent damage.

- Minimize downtime due to repairs and removal of debris caught between the tire and the fender.

IS NOT COMPATIBLE WITH:

- For L60H, L70H, L90H

Mudguards, full cover, front/rear, plastic/sheet metal fr for 65-series tires WL22003

Mudflap kit front/rear for plastic/steel fr mudguards for 65-series tires WL23001

Bracket for fire extinguisher, two pieces WL86039

Bracket for fire extinguisher WL86034

Mudguards, full cover, rear for 80-series tires WL22004

Mudguards, front and short rear, plastic/sheet metal fr for 65-series tires WL22002

Mudflap kit front/rear for plastic/steel front mudguards for 80-series tires WL23003

- For L150H, L180H, L220H, L260HH

Bracket for fire extinguisher, two pieces WL86039

Bracket for fire extinguisher WL86034

Mudguard widener, front/rear for 80-series tires WL24001

Mudguard widener, front/rear for 65-series tires WL24002

Mudguards, full cover, front/rear for 80-series tires WL22010

Mudguards, full cover, front/rear for 65-series tires WL22011

Note for picture: black = plastic / blue = steel.



Deleted front mudguards and wideners rear

Available for L110H, L120H

WL22001

The front mudguards and the rear wideners can be removed to prevent damage.

- Minimizes downtime due to repairs.

IS NOT COMPATIBLE WITH:

Decals, sound, EU WL87001

Bracket for fire extinguisher, two pieces WL86039

Bracket for fire extinguisher WL86034

Mudguards, full cover, rear for 80-series tires WL22004

Mudflap kit front/rear for plastic/steel front mudguards for 80-series tires

WL23003 Mudguards, full cover, front steel for 80-series tires WL22014

Mudguards, full cover, front/rear, plastic front for 65-series tires

WL22013

Mudguards, front and short rear, plastic front for 65-series tires

WL22012

Mudflap kit front/rear for plastic front mudguards for 80-series tires

WL23013 Mudflap kit front/rear for plastic front mudguards for 65-series

tires WL23011 Mudguards, full cover, front/rear, plastic for 65-series tires

WL22013

Mudguards, front and short rear, plastic for 65-series tires WL22012

Mudflap kit front/rear for plastic mudguards for 65-series tires WL23011



Escape ladder, left fender

Available for L220H

WL97029

If a situation occur where the operator need to evacuate the cab, the ladder gives a free passage over the left fender to the rear of the machine. The ladder can be folded up for opening of the engine hood to access the engine compartment for inspection or maintenance.





Cab ladder, rubber suspended

Available for L60H, L70H, L90H, L110H, L120H, L150H, L180H, L180H High-Lift, L220H, L260H

WL45006

Flexible rubber side members are extended to support two steps of the cab access ladders instead of one step compared with the standard cab ladder. In addition to being flexible, they have also been brought closer to the machine, making it difficult to damage or destroy the ladders in extreme conditions.

- Protecting the ladder to be damaged or destroyed in extreme conditions.
- Minimize downtime due to repairs.

IS NOT COMPATIBLE WITH:
Footstep, right-hand side WL71009



Cab ladder, with wire suspended foot step

Available for L150H, L180H, L220H

WL97027

Lower footstep at both sides of machine is mounted with a steel wire instead of rubber.



Cover plate for pressure outlet

Available for L150H, L180H, L220H

WL97011

Outlet pressure hoses, windshield fluid tank and transmission oil level are protected by metal cover.

Recommended for machines working in hot applications (eg: Slag slandering).

- Protects and extends the service life of the pressures hose in hot applications.



Rear footstep, wire suspended

Available for L150H, L180H, L220H

WL97016

Lower footstep at rear, both left and right side of machine, is mounted with a steel wire instead of rubber



Heat resistant center hinge

Available for L150H, L180H, L220H

WL97010

Hydraulic hoses and electrical wire protected by silicone sleeves. Recommended for machines working in hot applications. (Eg: Slag handling).

- Protects and extends the service life of the hydraulic hose in hot applications.



Heat resistant, rear inner fender

Available for L150H, L180H, L220H

WL97014

The plastic rear inner fender is protected with silicone rubber and a sheet of metal.



Protection, HIJ link

Available for L150H, L180H, L220H

WL97012

Protects the HIJ bearing and Lube line from spill material. Protects the GDF bearing from hot metal, and extends the service life in all applications.

- Protects and extends the service life for the central lubrication hoses in all applications.



Towing chain

Available for L150H, L180H, L220H

WL97021

Towing chain enables the machine to be towed when needed by another machine's rear side or towing equipment.

Note:

- This option is included in both "Base Package" and "HD Package" and it can't be combined with Towing Device. But this can be changed with "Towing Device" if customer requested.



Towing device

Available for L150H, L180H, L220H

WL97022

Towing device at the rear for quick & easy assistance from another machine in two ways:

- by using the rear side of other wheel loader,
- by using the bucket in front of other wheel loader.

Note:

- This option is included in both "Base Package" and "HD Package" and it can't be combined with "Towing Chain". But this can be changed with "Towing Chain" if customer requested.



Flexible rear step

Available for L60H, L70H

WL71008

Rubber suspended step located at the rear of the machine.

- Designed for applications where debris from wheels can come into contact with the rear step, and to prevent bending if running into obstacles.

IS NOT COMPATIBLE WITH:

Mudflap kit front/rear for plastic/steel fr mudguards for 65-series tires
WL23001 Counterweight, logging WL81001

Mudguards, full cover, rear for 80-series tires WL22004

Mudflap kit front/rear for plastic/steel front mudguards for 80-series tires

WL23003 Foot step, fixed LH rear, standard

Footstep, fixed LH rear step WL71013



Footstep, right-hand side

Available for L60H, L70H, L90H

This option adds a footstep on right-hand side.

Footstep, right-hand side (tool box lockable included)

Available for L60H, L70H, L90H

WL71009

IS NOT COMPATIBLE WITH:

For L60H, L70H, L90H:

Cab ladder, rubber suspended WL45006

Note: standard on L110H, L120H, L150H, L180H, L180H-HL, L220H, L260H, L350H.



CareTrack

Available for L60H, L70H, L90H, L110H, L120H, L150H, L180H, L220H, L260H, L350H

CareTrack is the Volvo Construction Equipment telematics system that gives you access to a wide range of machine monitoring information designed to save time and money. It allows to proactively manage machines and increase uptime by planning service and maintenance requirements in advance. Through CareTrack it's possible for local Volvo dealer to troubleshoot faults remotely – minimizing service time. Through operational reports, it is possible to identify excessive idle time which in turn can reduce fuel consumption, non-productive machine hours and service costs. The system can highlight potential problems before they happen to save costly maintenance bills.

The system gives access to a wealth of information, from fuel consumption data to location and machine usage reports. CareTrack presents infinite opportunities to help get the most out of machine, just starting by making a few simple changes and set specific functionalities to unlock further benefits.

A number of CareTrack services packages are available, depending on the requirements. For more information on services packages, please connect to Machine Ordering Management system (MOM) - services packages might be only available for some products or for some markets.

Customer benefit:

- Basic requirement to have access to other Volvo Services (depending on market availability).
- Optimize productivity, save money and time, reduce fuel costs.
- Optimize machine and operator performance.
- Proactively manage service and maintenance to maximize uptime.
- Tailored service to customer requirements.

Not all products are available in all markets. Under our policy of continuous improvement, we reserve the right to change specifications and design without prior notice. The illustrations do not necessarily show the standard version of the machine.



VOLVO

Volvo Construction Equipment

volvo.com